



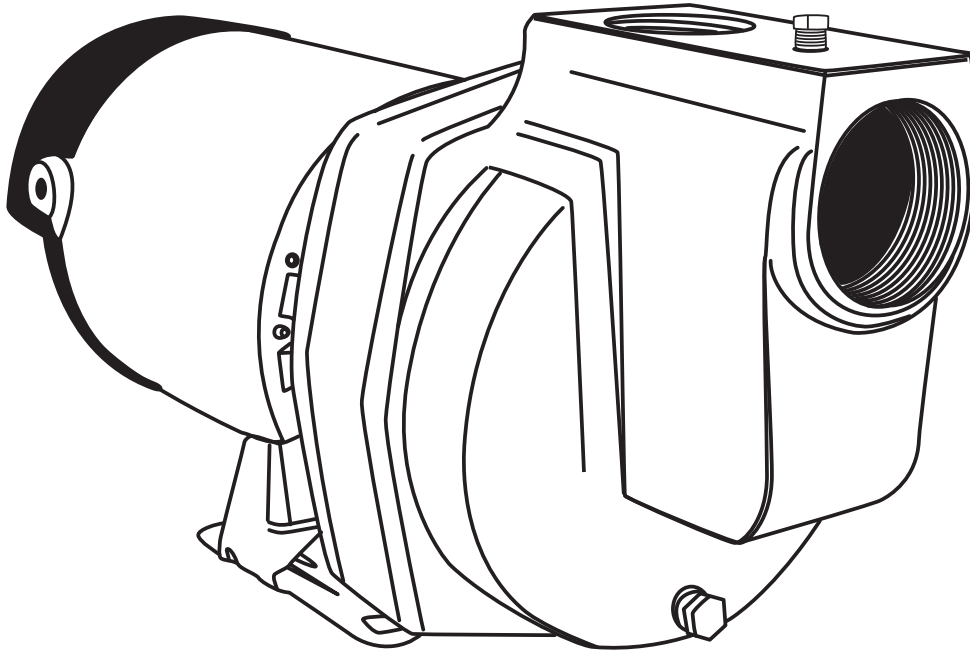
WATER SYSTEMS

110 West Division St. | Boonville, IN 47601

starwatersystems.com

LAWN SPRINKLER, IRRIGATION PUMP

MODEL # HSP10P1, HSP15P1, HSP20P1



For installation videos and other information, visit Starwatersystems.com

1. Pre-Installation
2. Tools required
3. General Pump Information
4. Pump and Pipe Assembly
5. Check your Breaker Box
6. Change voltage if required - Video
7. Wiring Instructions - Video
8. Pump Priming and Startup - Video
9. Irrigation System Controls
10. Care and Maintenance



Questions, problems, missing parts? Before returning to your retailer, call our customer service department at 1-800-742-5044, 7:30 a.m.-5:00 p.m., EST, Monday-Friday.

023121 N

SAFETY INFORMATION

Please read and understand this entire manual before attempting to assemble, operate or install the product.

- **NOTE:** Pumps with the “UL” Mark and pumps with the “US” mark are tested to UL Standard UL778. CSA certified pumps are certified to CSA Standard C22.2 No. 108. (CUS)

DANGER



ELECTRICAL SHOCK HAZARD.

Always disconnect power source before performing any work on or near the motor or its connected load. If the power disconnect point is out-of-sight, lock it in the open position and tag it to prevent unexpected application of power. Failure to do so could result in fatal electrical shock.

ELECTRICAL SHOCK HAZARD.

Do not handle the pump with wet hands or when standing in water as fatal electrical shock could occur. Disconnect main power before handling unit for ANY REASON!

RISK OF ELECTRIC SHOCK.

These pumps have not been investigated for use in swimming pool areas.

WARNING



ELECTRICAL SHOCK ALERT.

Follow all local electrical and safety codes, as well as the National Electrical Code (NEC) and the Occupational Safety and Health Act (OSHA).

ELECTRICAL SHOCK ALERT.

Replace damaged or worn wiring cord immediately.

ELECTRICAL SHOCK ALERT.

Do not kink power cable and never allow the cable to come in contact with oil, grease, hot surfaces, or chemicals.

ELECTRICAL SHOCK ALERT.

Unit must be securely and adequately electrically grounded. This can be accomplished by wiring the unit to a ground metal-clad raceway system or by using a separate ground wire connected to the bare metal of the motor frame or other suitable means.

CHEMICAL ALERT.

This product contains chemicals known to the State of California to cause cancer and birth defects or other reproductive harm.

CAUTION

ELECTRICAL SHOCK MAY OCCUR

Protect the power cable from coming in contact with sharp objects.

HOT SURFACE MAY CAUSE BURNS

Be careful when touching the exterior of an operating motor - It may be hot enough to be painful or cause injury.

PRODUCT DAMAGE MAY RESULT

Make certain that the power source conforms to the requirements of your equipment.

PREPARATION

Before beginning installation of product, make sure all parts are present. Compare parts with package contents drawing. If any part is missing or damaged, do not attempt to assemble the product. Contact customer service for replacement parts.

Estimated Installation Time: 2 hours.

Tools Required for Assembly (not included): Hacksaw, Pipe Wrenches (2), Wire Strippers, Needle-Nose Pliers, Phillips Screwdriver, Wire Cutters, Adjustable Wrench

Parts Required For Assembly (not included): 2 in. Sched 40 PVC pipe, 1-1/2 in. Sched 40 PVC pipe, 2 in. MPT x 2 in. slip adaptor, 1-1/2 in. MPT x 1-1/2 in. slip adaptor, 1-1/2 in. pipe tee, 1-1/2 in. slip x 1-1/4 in. FPT reducer bushing, 1-1/4 in. MPT plug, 2 in. 90° pipe elbow, 1-1/2 in. 90° pipe elbow, thread tape, 1/4 in. electric wire strain relief, 2-step PVC glue system (primer and sealer), and thread paste.

Optional Parts For Assembly (not included):

- 1. Priming Plug with Pressure Gauge:** Used instead of a priming plug alone. Helps determine if the pump is primed, indicates if the pump is operating properly and what kind of pressure is in the system when operating.
 - (1) 1-1/4 in. MPT x 1/2 in. FPT reducer bushing
 - (1) 1/2 in. MPT x 1/4 in. FPT reducer bushing
 - (1) 100 PSI pressure gauge
- 2. Unions:** Used for easy removal of the pump from the sprinkler system.
 - (2) 2 in. union
 - (1) 1-1/2 in. union
- 3. (1) 1-1/2 in. Ball Valve:** Prevents back flow of water from the sprinkler system when the pump is removed from the system.
- 4. 1-1/2 in. Couplers:** Quantity determined by the total length of pipe used.
- 5. 2 in. Couplers:** Quantity determined by the total length of pipe used.

GENERAL PUMP INFORMATION

Typical Pump Setup

Typical setups for lawn sprinkler pump systems include ground water wells (**Fig. 1**) or surface water, such as lakes, ponds or streams. (**Fig. 3**)

Location

For best performance, the pump must be located as close to the water source as possible and protected from the elements.

Ventilation

Ventilation and drainage must be provided to prevent damage to the motor from heat and moisture.

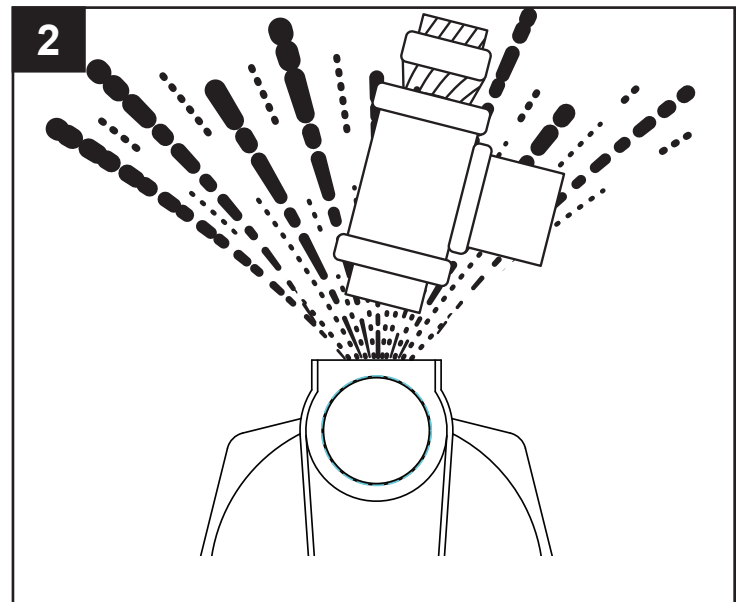
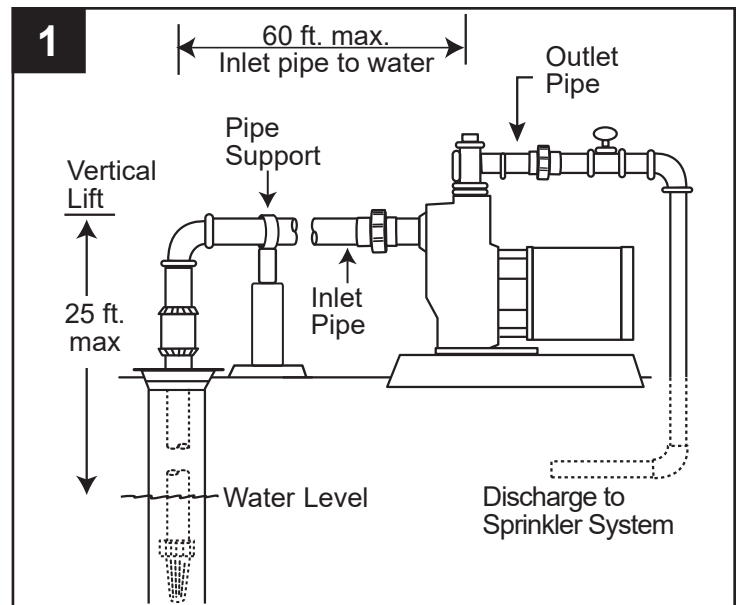
Freezing

The pump and all piping must be protected from freezing. If freezing weather is forecast, drain pump or remove completely from the sprinkler system.

Water Supply

The water source must be able to supply enough water to satisfy the capacity of the pump and water needs. See performance chart on page 21.

⚠ WARNING: NEVER run pump (A) against a closed discharge. Doing so can boil water inside pump, causing hazardous pressure in unit, risk of explosion and possibly scalding persons handling pump. (**Fig. 2**)



GENERAL PUMP INFORMATION

Vertical Lift

Vertical lift is the vertical distance from the lowest level of the water to the pump intake. The pump will move water as long as the pump is within 25 vertical feet of the water source.

Horizontal Distance

The horizontal distance is the horizontal measurement between the pump inlet and the water source. This distance may affect the ability of the pump to operate. If it is over 60 feet, call customer service at 1-800-742-5044.

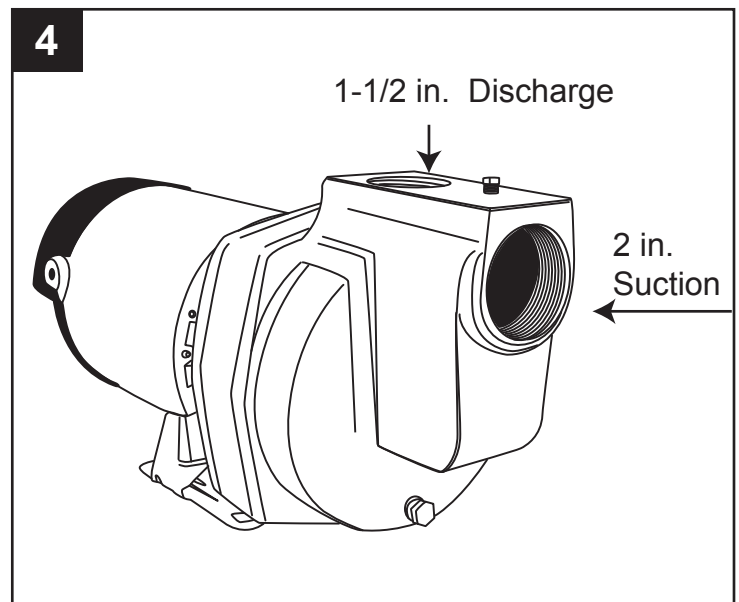
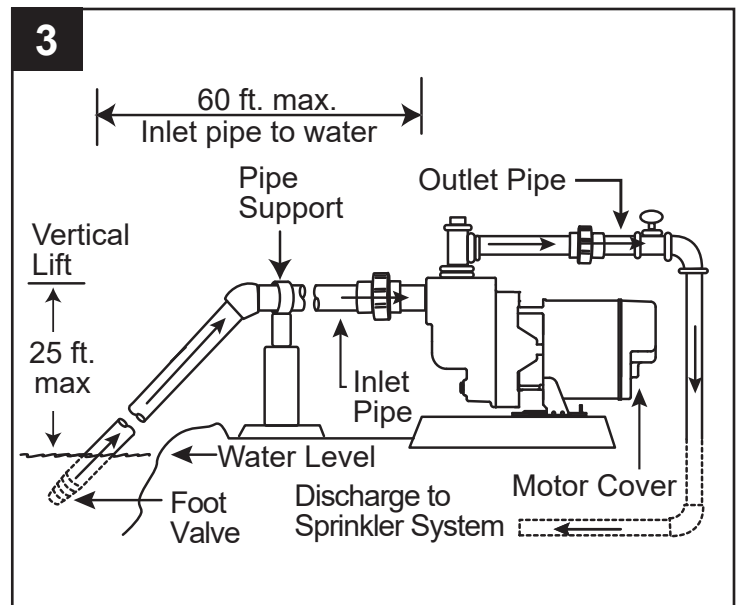
Pipe And Fittings

Use galvanized steel or NSF PW Schedule 40 PVC pipe and fittings. This material is designed for water pressure and will seal against air and water under pressure. Do Not Use: DWV fittings, as these are designed for drains without pressure and will not seal properly.

⚠ CAUTION: The entire system must be air and water tight for efficient operation and to maintain prime.

Wire Size:

The wire size is determined by the distance from the breaker box to the pump motor, and the horsepower rating of the motor. See the wire chart on page 15 for proper wire size.



PUMP PREPARATION FOR WELL AND SURFACE WATER

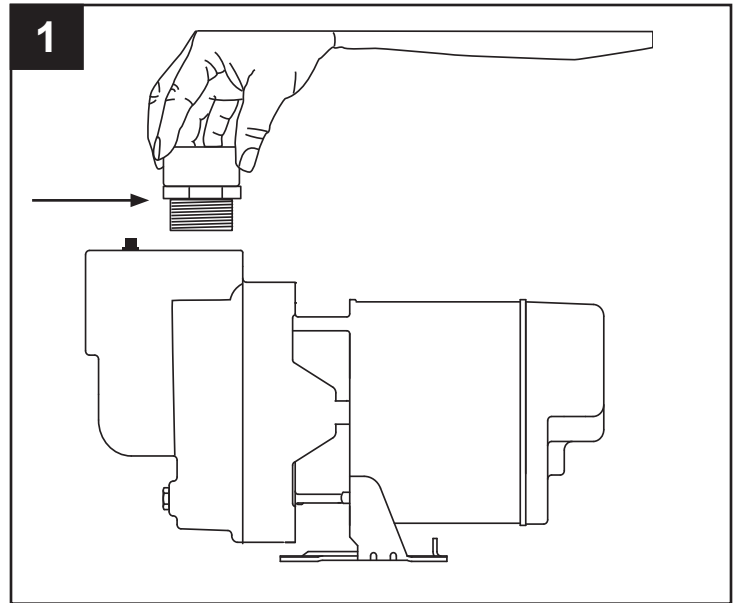
⚠ CAUTION: Dry-fit entire assembly to ensure proper fit before gluing or taping parts.

⚠ CAUTION: Follow all proper gluing procedures as specified by the glue manufacturer. Always glue in a vertical direction whenever possible to prevent glue from dripping inside pipe or fittings

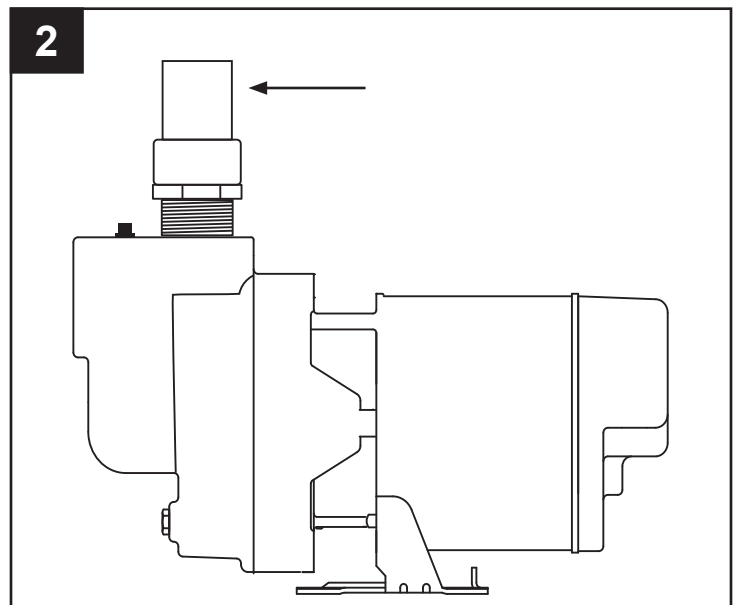
⚠ CAUTION: Use thread tape and a thread paste compound on all male threads except for the unions. Tighten securely with a wrench and add another 1/4 turn to ensure proper seal.

PUMP PREPARATION FOR WELL AND SURFACE WATER

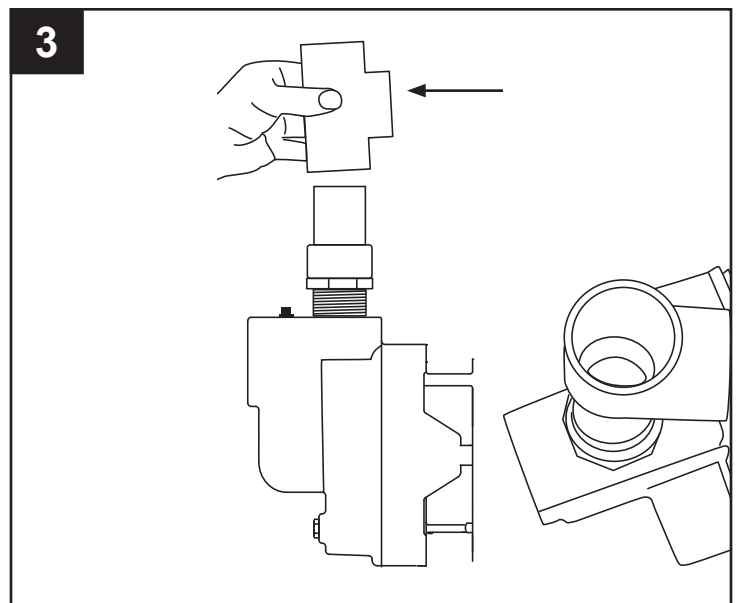
1. Thread 1-1/2 in. MPT x 1-1/2 in. slip adaptor (not included) into the outlet port located at the top of the pump.



2. Glue a 6 in. piece of 1-1/2 in. pipe (not included) into the adaptor.

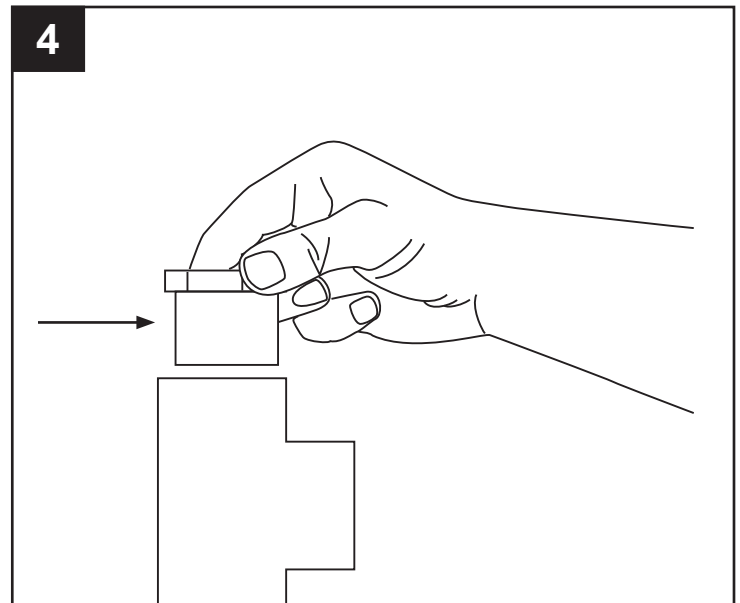


3. Glue a 1-1/2 in. tee (not included) to the pipe.

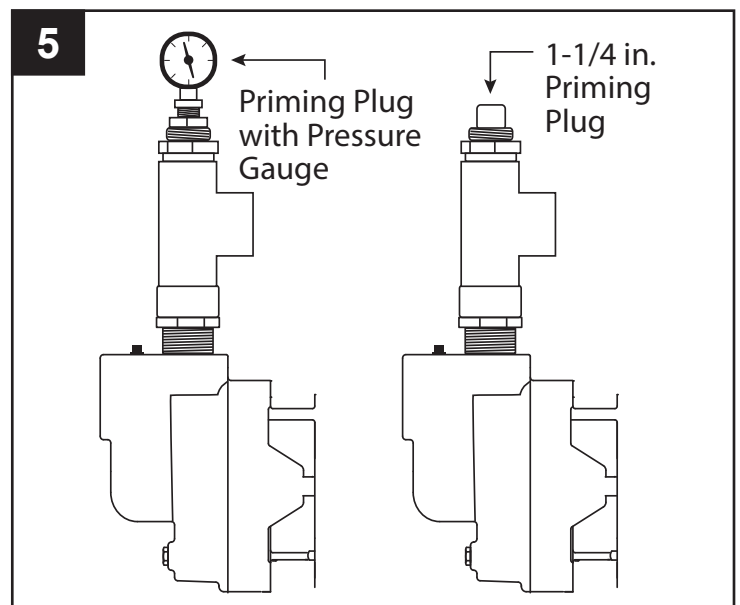


PUMP PREPARATION FOR WELL AND SURFACE WATER

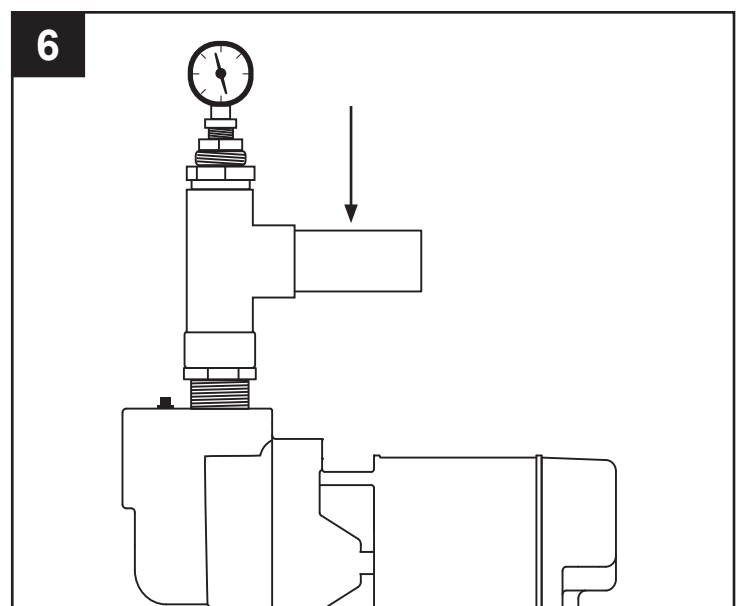
4. Glue a 1-1/2 in. slip x 1-1/4 in. adaptor (not included) to the top opening of the 1-1/2 in. tee.



5. Thread in a 1-1/4 in. priming plug or optional priming plug with pressure gauge (neither included).
NOTE: Hand tighten only, as this will be removed for priming.

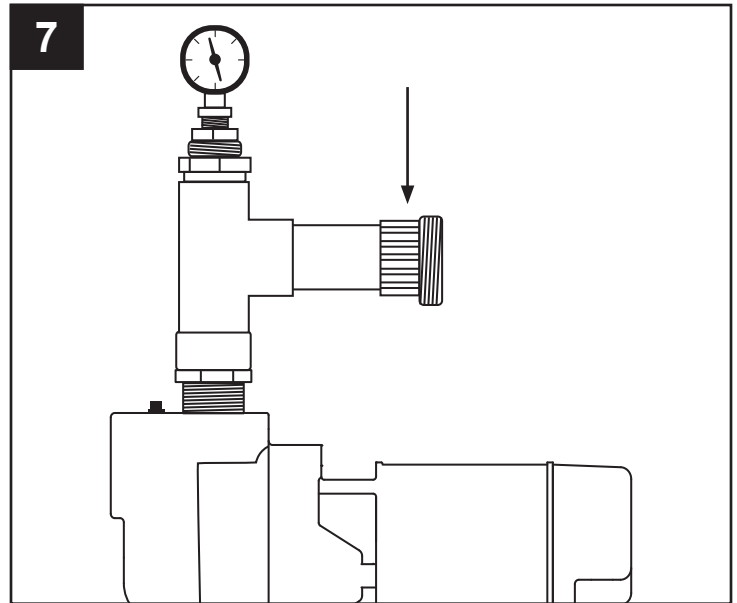


6. Glue another 6 in. section of 1-1/2 in. pipe (not included) into the opening in the 1-1/2 in. tee.

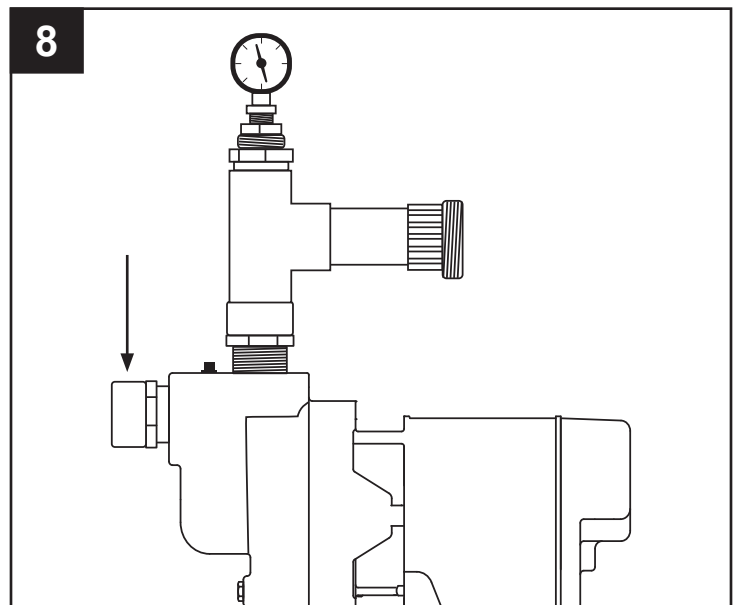


PUMP PREPARATION FOR WELL AND SURFACE WATER

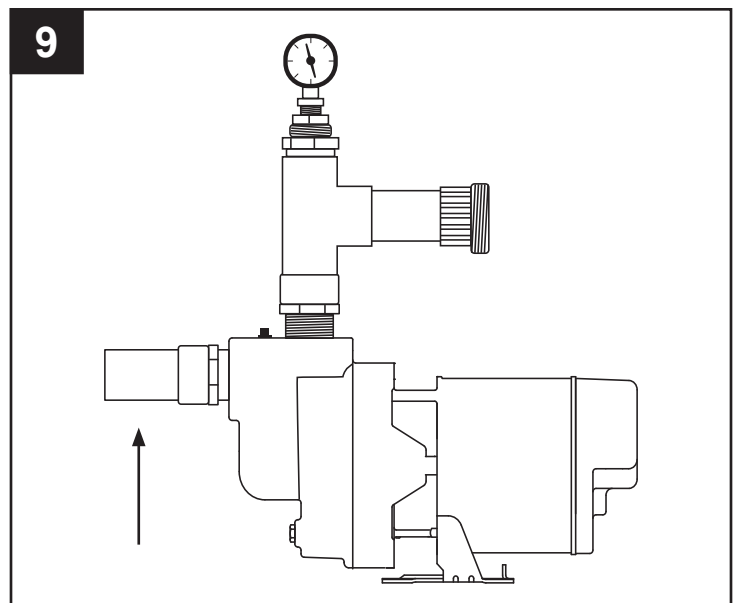
7. Glue the male thread side of a 1-1/2 in. union (not included) to the pipe.



8. Thread 2 in. MPT x 2 in. slip adaptor (not included) into the inlet port located on the front of the pump body.

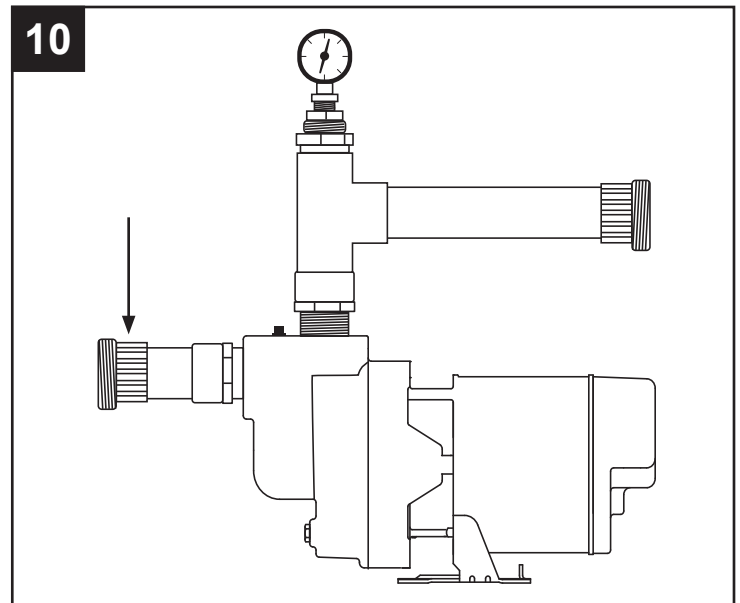


9. Glue an 8 in. section of 2 in. pipe (not included) into the 2 in. adaptor.



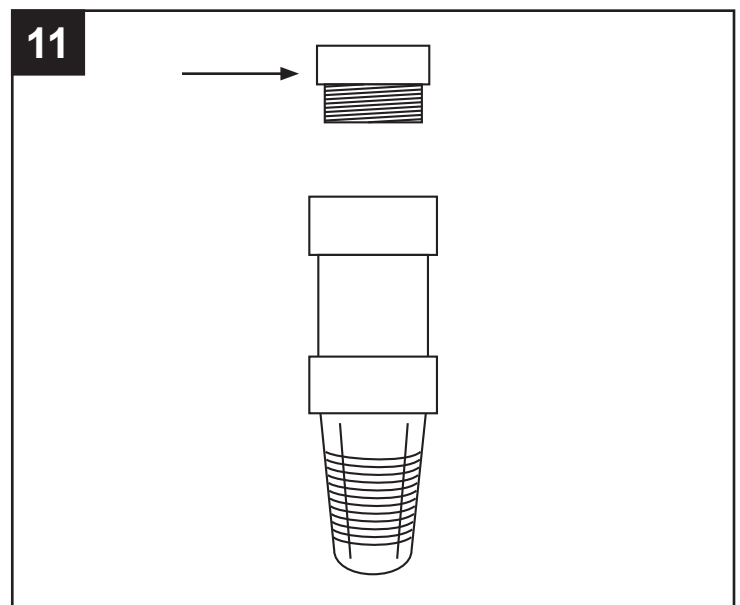
PUMP PREPARATION FOR WELL AND SURFACE WATER

10. Glue one side of a 2 in. union (not included) to the pipe.

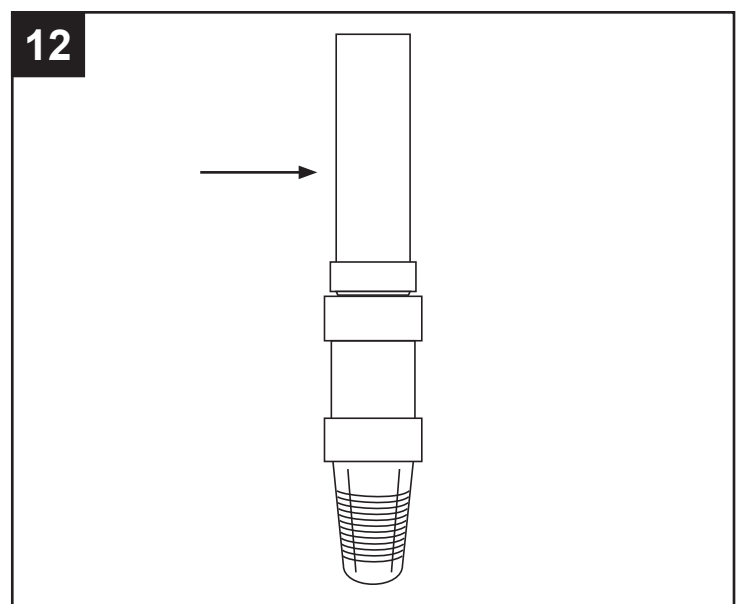


For Well Installations

11. Thread a 2 in. MPT x 2 in. slip adaptor (not included) into the foot valve.

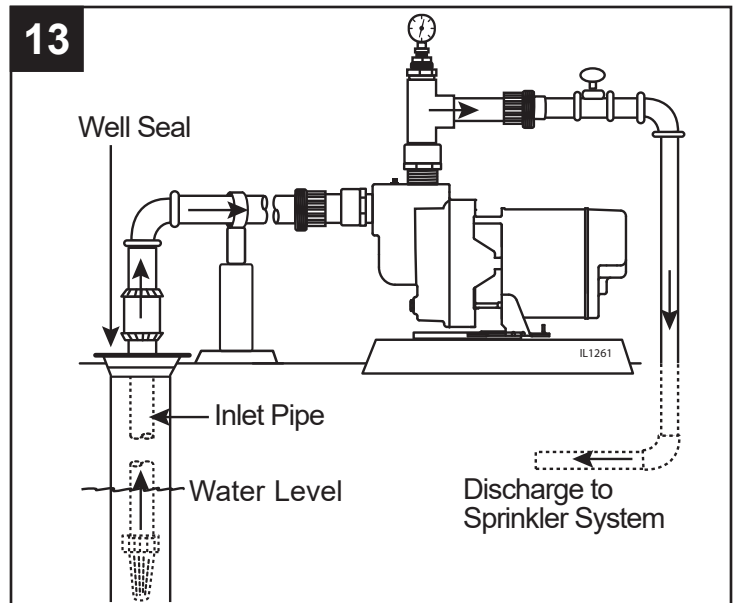


12. Glue 2 in. pipe (not included) into the adaptor. Glue enough sections of pipe together using 2 in. couplers (not included) in order for the foot valve to be completely submerged in water. Be sure inlet pipe will remain fully submerged at the lowest expected level of the water source.

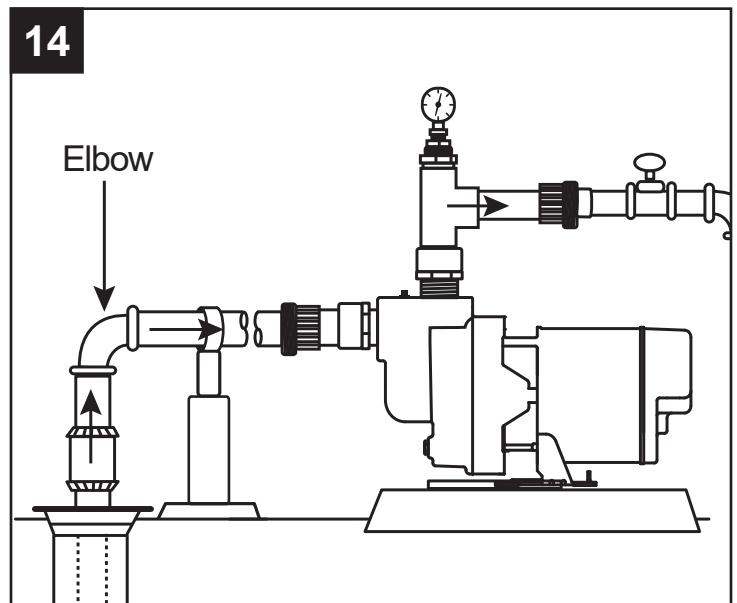


PUMP PREPARATION FOR WELL AND SURFACE WATER

13. Install well seal (not included) in order to hold the inlet pipe in position in the well.



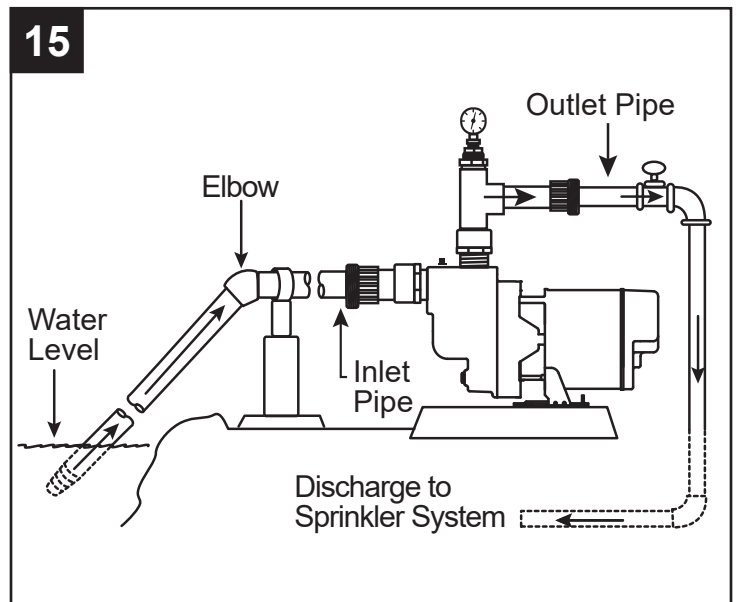
14. Glue a 90° elbow (not included) when the inlet pipe is in line with the inlet port of the pump.



For Surface Water Installations

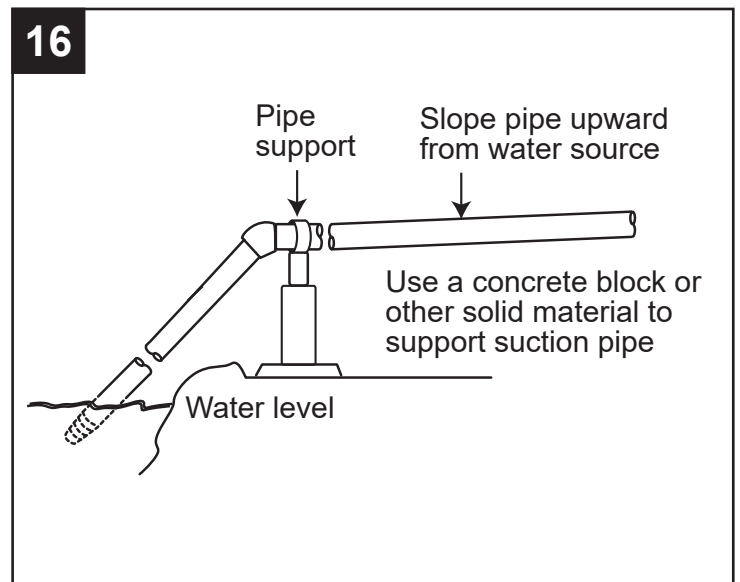
For surface water installations, follow steps 11 and 12 above and then:

15. Glue a 45° elbow (not included) when the inlet pipe is in line with the inlet port of the pump.



PUMP PREPARATION FOR WELL AND SURFACE WATER

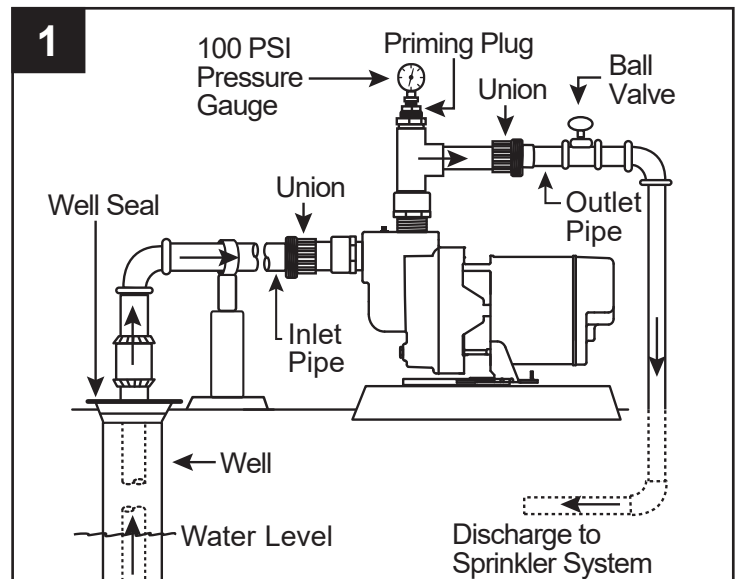
16. Support inlet pipe with pipe support (not included).



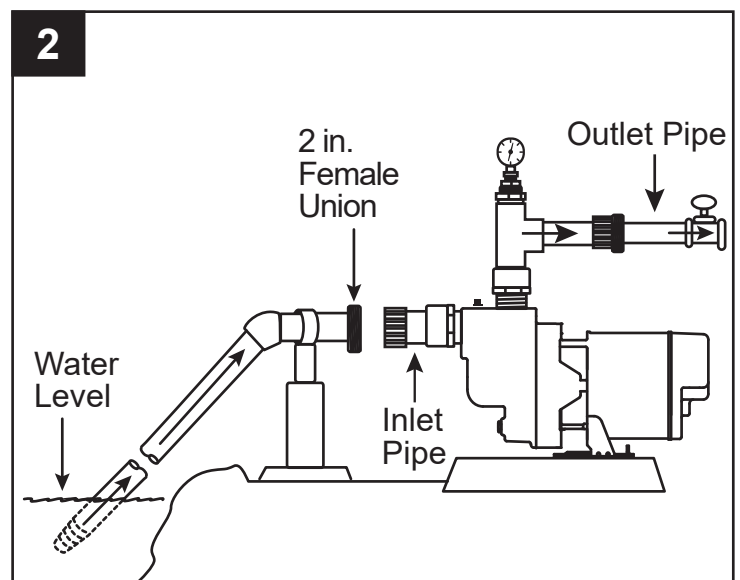
PUMP INSTALLATION FOR WELL AND SURFACE WATER

1. Mount pump on a solid foundation as close to the water source as possible.

⚠ CAUTION: Support the 2 in. inlet pipe from the well or lake to the inlet port to prevent sagging. Sagging will create air pockets within the pipe that will prevent the pump from priming and operating correctly.

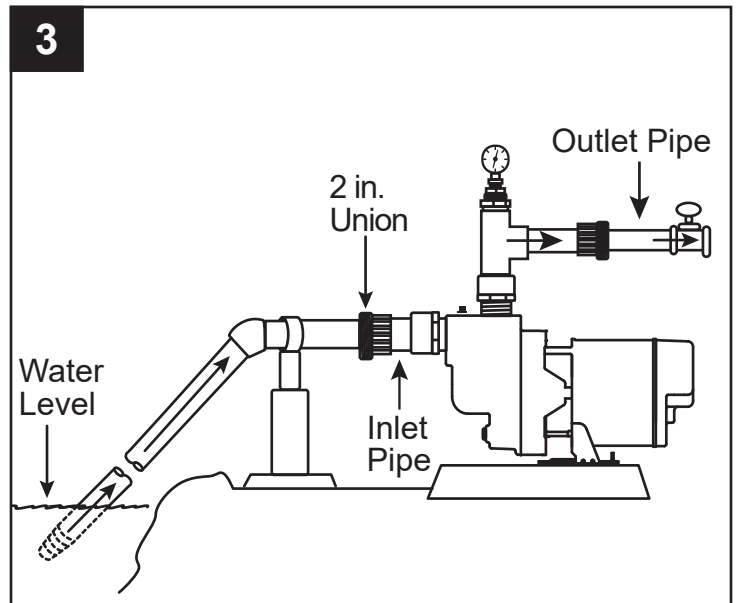


2. Glue female 2 in. union (not included) to the end of inlet pipe leading from the water source.

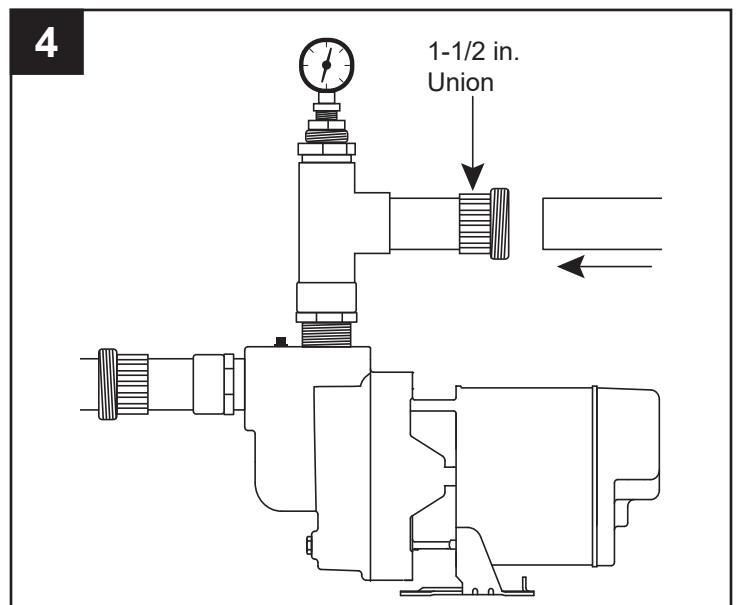


PUMP INSTALLATION FOR WELL AND SURFACE WATER

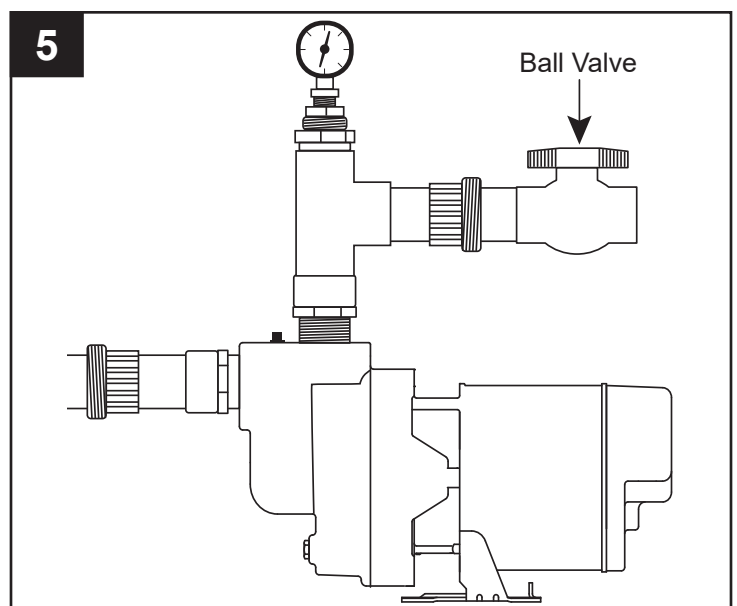
3. Connect the 2 in. union together to complete the inlet line to the pump.



4. Glue a 6 in. piece of 1-1/2 in. pipe (not included) to the female portion of the 1-1/2 in. union.

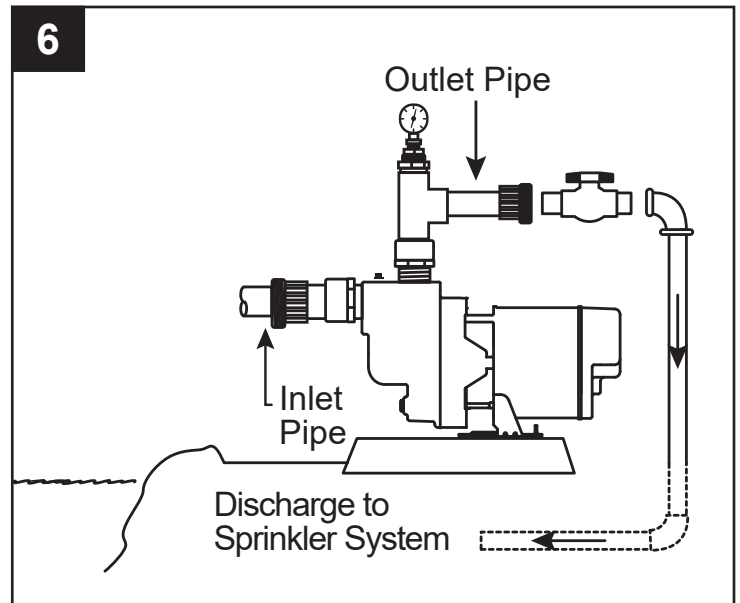


5. Glue 1-1/2 in. ball valve (not included) to the other end of the 6 in. piece of pipe.



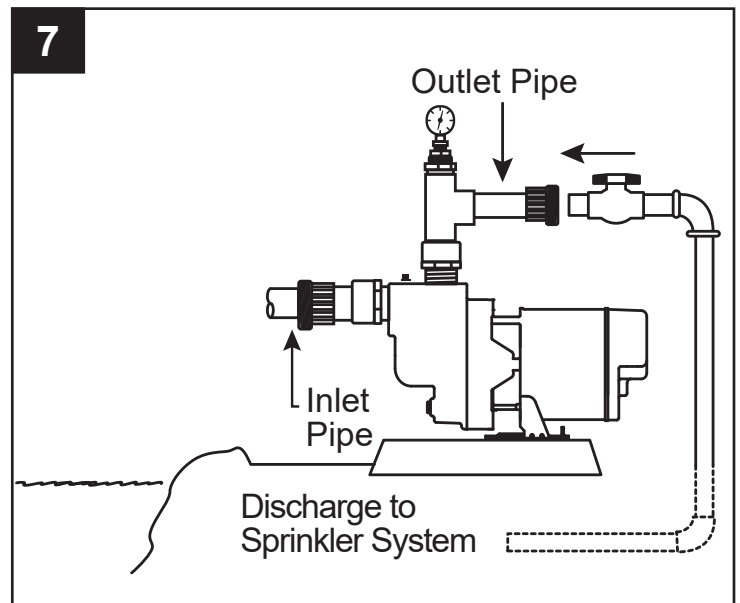
PUMP INSTALLATION FOR WELL AND SURFACE WATER

6. Connect the 1-1/2 in. outlet pipe to the sprinkler system (not included) by gluing in additional sections of pipe (not included) as needed.



7. Connect union to ensure proper fit. Do not tighten until after priming.

⚠ CAUTION: Do not glue union together.



PUMP ELECTRICAL INSTRUCTIONS

⚠ WARNING



ELECTRICAL SHOCK ALERT.

Under-size wiring can cause motor failure and even fire. Use proper wire size specified in the wire size chart on page 15.

ELECTRICAL SHOCK ALERT.

Replace damaged or worn wiring cord immediately.

ELECTRICAL SHOCK ALERT.

Do not kink power cable and never allow the cable to come in contact with oil, grease, hot surfaces, or chemicals.

ELECTRICAL SHOCK ALERT.

The pump must be properly grounded using the proper wire cable with ground.

ELECTRICAL SHOCK ALERT.

Always disconnect pump from electricity before performing any work on the motor.

CAUTION

ELECTRICAL SHOCK MAY OCCUR

All wiring should be performed by a qualified electrician in accordance with the National Electric Code and local electric codes.

ELECTRICAL SHOCK MAY OCCUR

Connect the pump to a separate electrical circuit with a dedicated circuit breaker. Reference the wire size chart below for proper fuse size.

ELECTRICAL SHOCK MAY OCCUR

Protect the power cable from coming in contact with sharp objects.

PRODUCT DAMAGE MAY RESULT

Make certain that the power source matches the pump requirements. This pump has a dual voltage motor and can run on 115 V or 230 V. This pump is wired from the factory to run on 230 volts; refer to page 17 if you want to change the pump to run on 115 volts.

Wire Size Chart

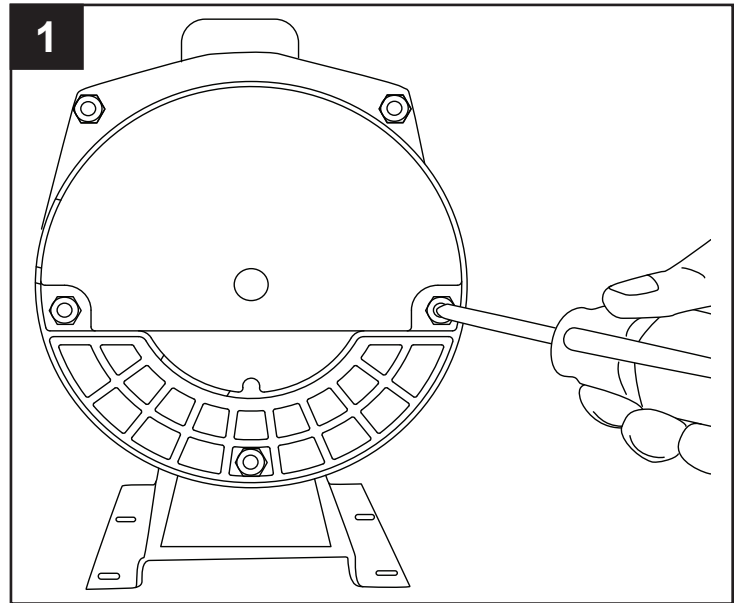
Distance From Motor To Fuse Box, Meter or Electrical Outlet	Minimum Copper Wire Size Chart (Gauge)					
	Single Phase Motors					
	1 HP		1-1/2 HP		2 HP	
	115 Volt	230 Volt	115 Volt	230 Volt	115 Volt	230 Volt
0-50 Ft.	12	14	12	14	12	14
50-100 Ft.	8	14	10	14	10	14
100-150 Ft.	*	12	8	12	8	12
150-200 Ft.	*	12	*	12	*	10
200-300 Ft.	*	10	*	10	*	10
Fuse Size (Amps)	20	15	20	15	20	15

(*) Not economical to run in 115 V; use 230 V

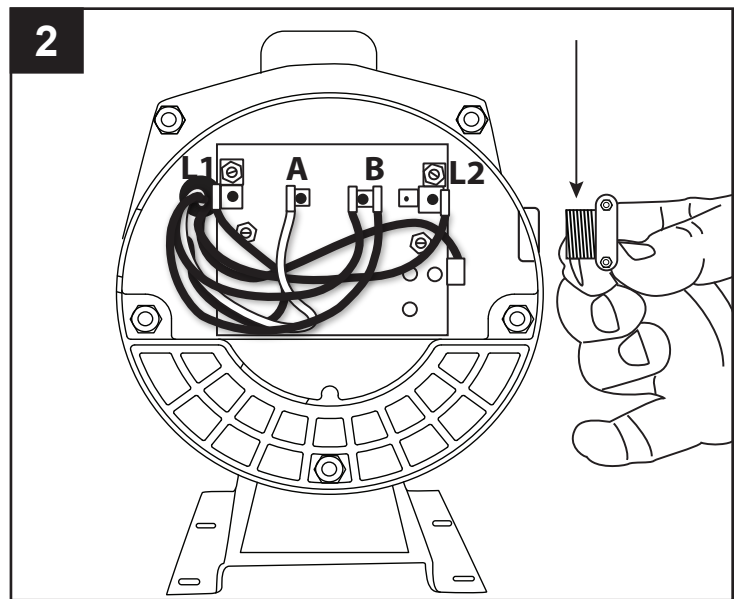
NOTE: This pump can be used with a variety of controls, including a pump start relay, pressure switch with tank and indexing valve. See control manufacturer's instructions for details.

PUMP ELECTRICAL INSTRUCTIONS

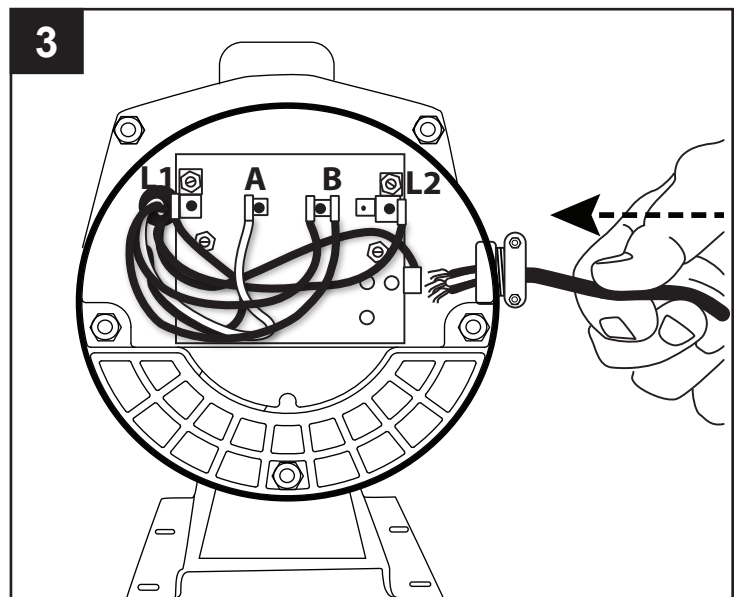
1. Remove rear motor cover on pump by unscrewing the two screws.



2. Thread electric wire strain relief (not included) into wire opening on the side of the motor of pump.

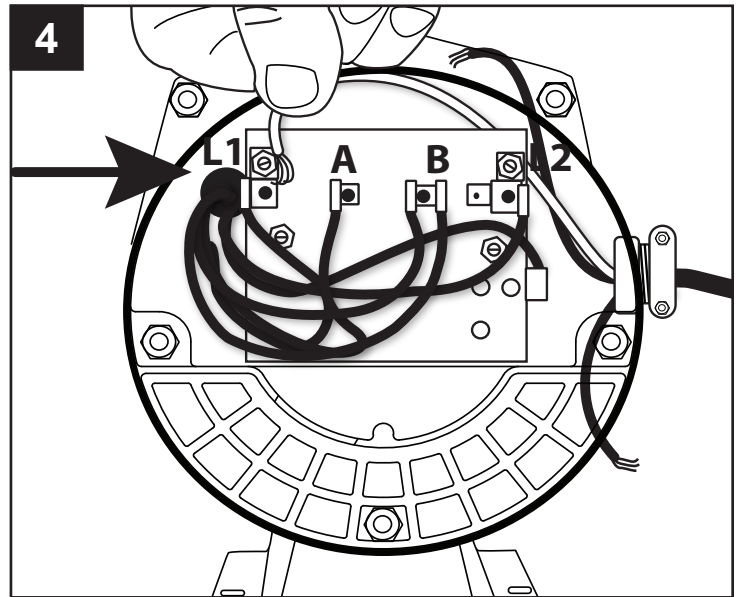


3. Insert wire through electric wire strain relief and tighten screws.

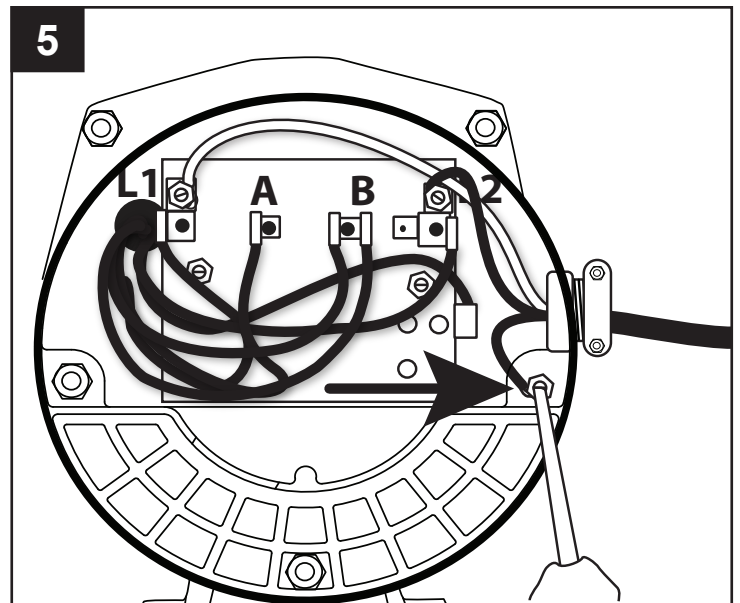


PUMP ELECTRICAL INSTRUCTIONS

4. Connect white power lead to L1 and black power lead to L2.

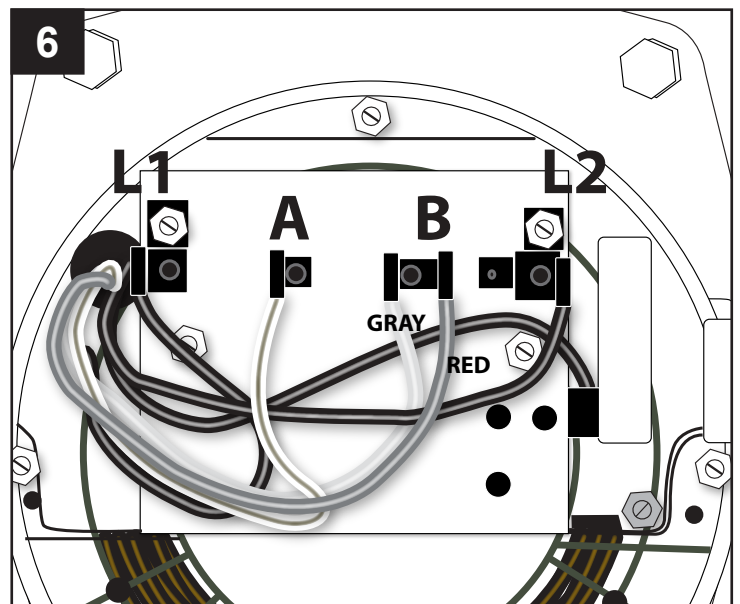


5. Connect green ground wire to green grounding screw. Re-install rear motor cover to pump.



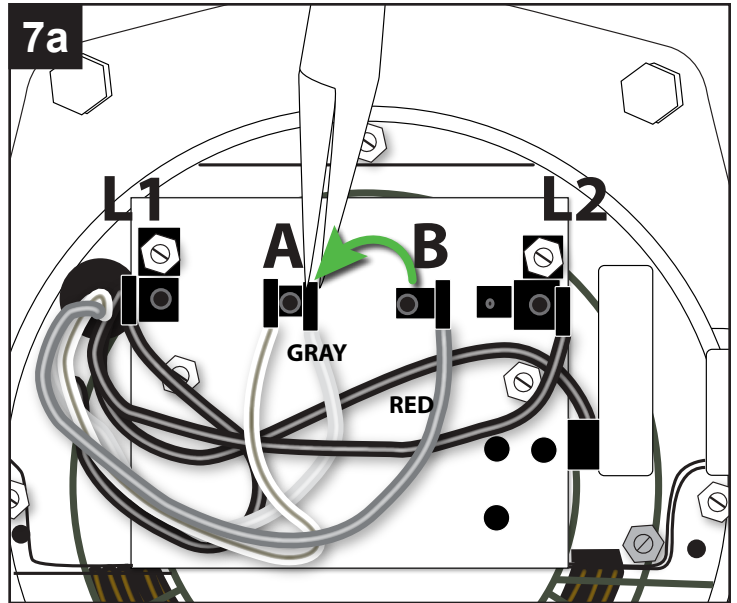
To change from 230 V to 115 V

6. The motor of pump is dual voltage and can run on either 115 volts or 230 volts. In general, 230 volts is more economical to run, and requires a smaller wire size. The pump is pre-set in the factory to run at 230 volts.

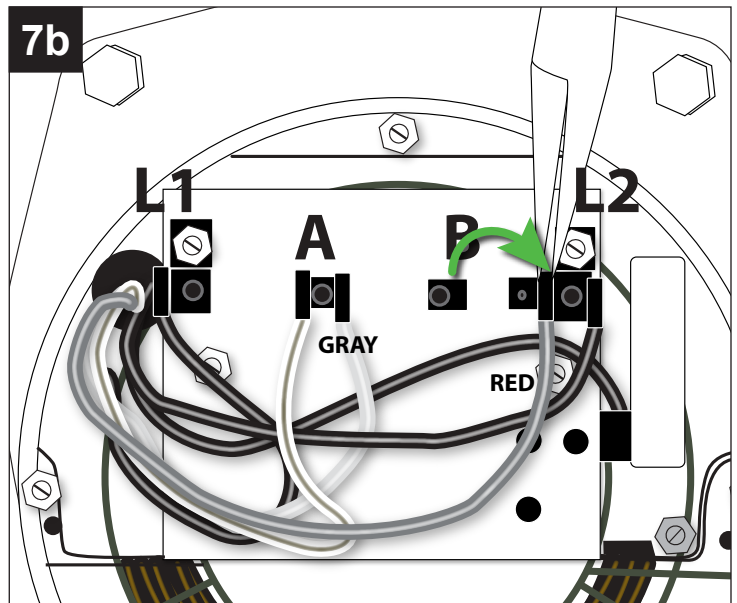


PUMP ELECTRICAL INSTRUCTIONS

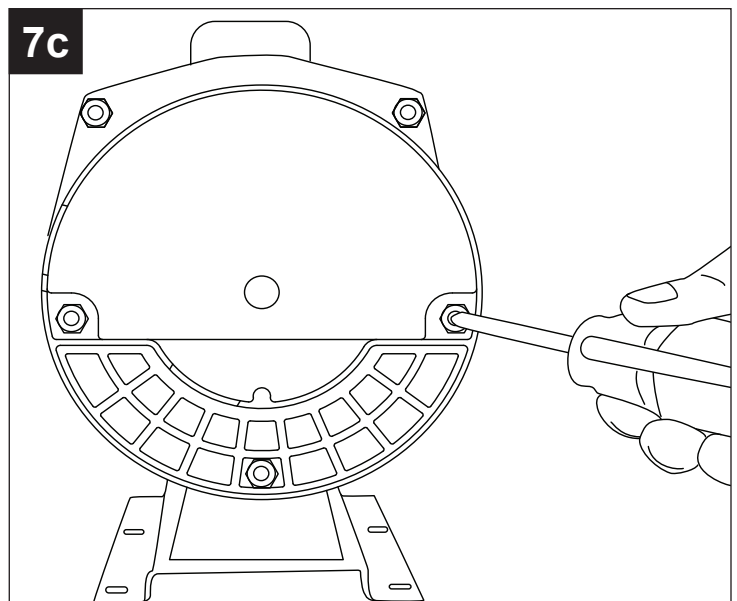
7. For 115 volts service, change the following wires on the terminal board:
 - a. Using a pair of needle nose pliers, pull the gray wire with the female flag connector from the "B" terminal space post. Place it to the left on the "A" terminal space post.



- b. Pull the red wire with the female flag connector from the "B" terminal. Place it to the right on the L2 terminal space post.



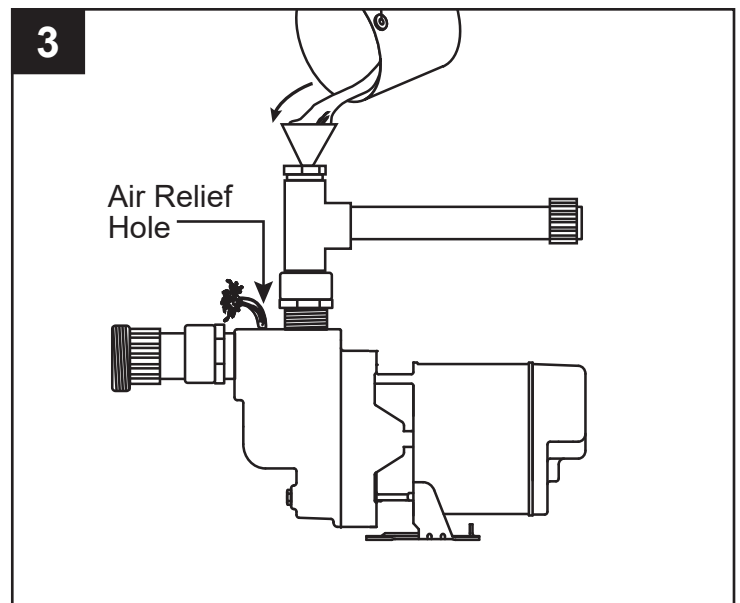
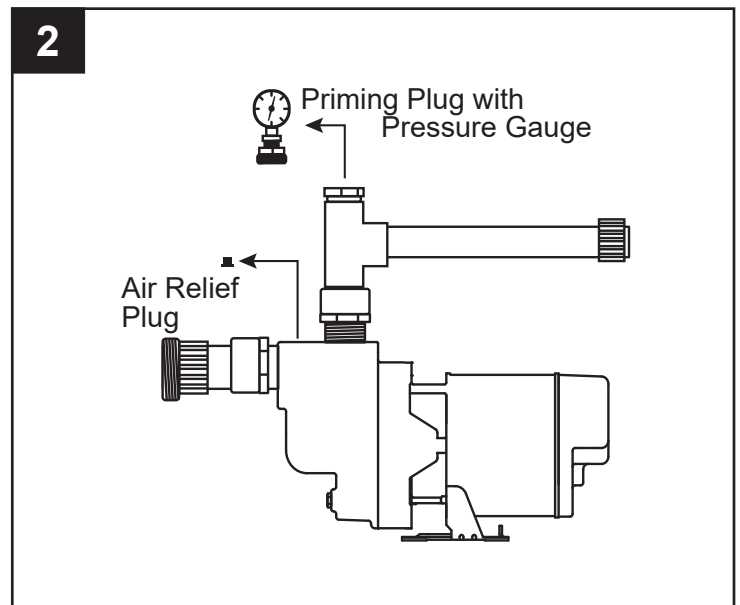
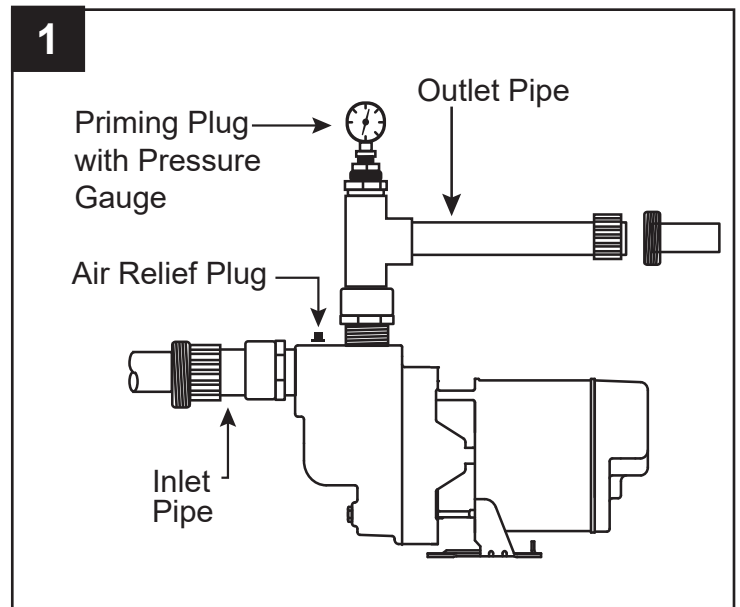
- c. Reinstall the rear motor cover.



PUMP PRIMING AND STARTUP

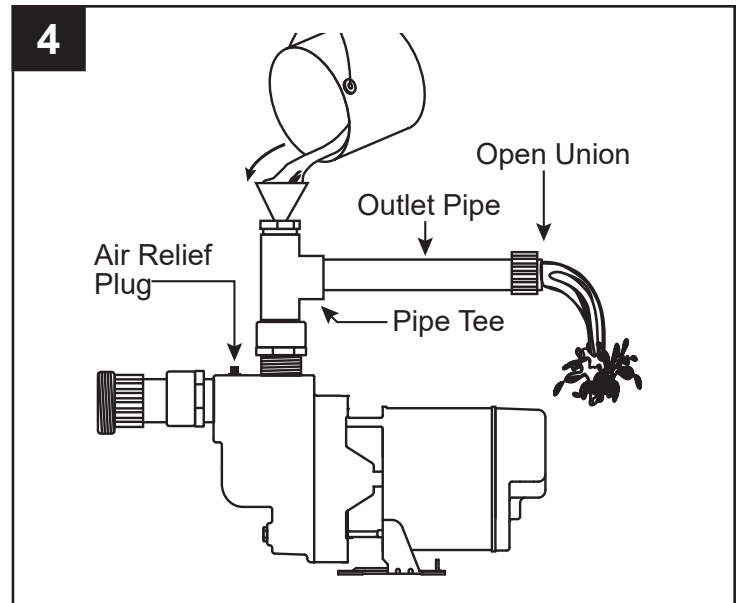
⚠ CAUTION: All pumps must be primed by filling the pump cavity with water before they are first operated. This may take several gallons of water, as the entire inlet line will be filled in addition to the pump cavity. The longer the inlet line, the more water is required for priming.

1. Disconnect the 1-1/2 in. outlet union and separate the pipe.
2. Remove the air relief plug on top of pump and the 1-1/4 in. priming plug with pressure gauge or plug. Refer to Pump Preparation Step 5.
3. Slowly fill pump cavity until water comes out of air relief hole on top of the pump.

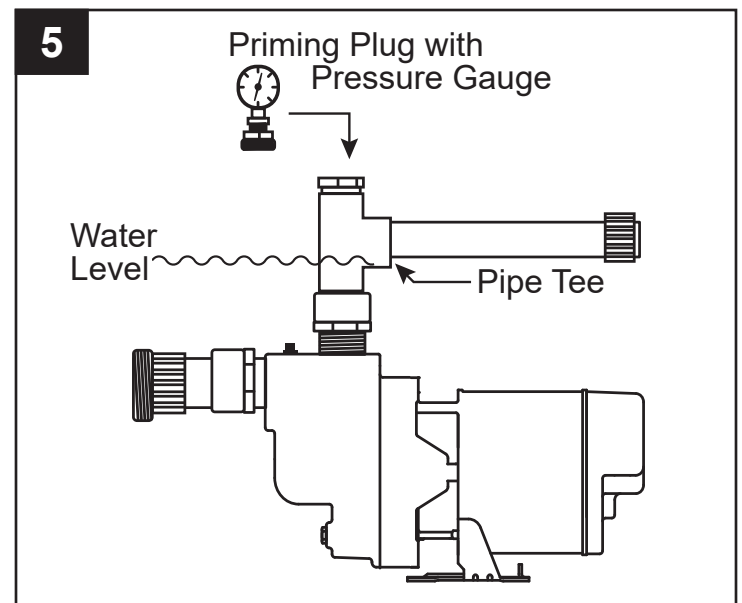


PUMP PRIMING AND STARTUP

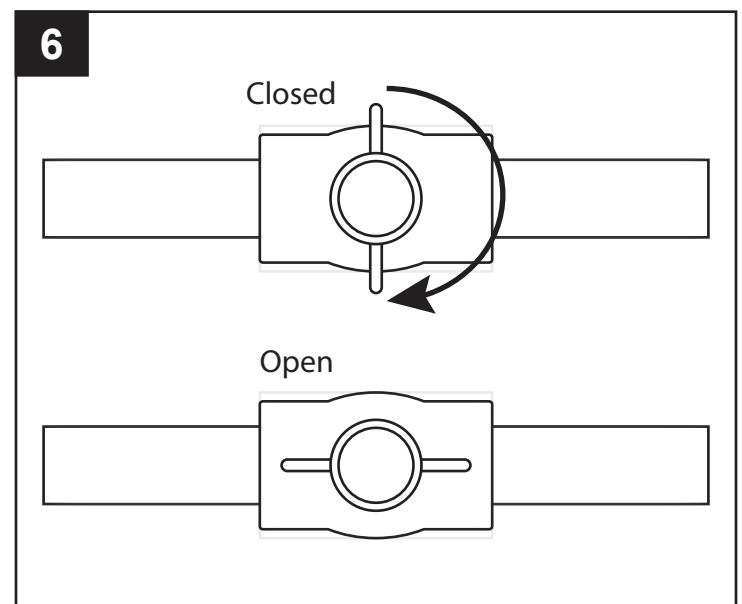
4. Replace air relief plug and continue adding water to pump cavity until water comes out of the open outlet pipe at the open union.



5. Wait 10 minutes to see if water level drops below the pipe tee. If level drops, check foot valve. If level stays constant, replace the priming plug.



6. Reconnect 1-1/2 in. union on outlet pipe. Open the ball valve (turn handle to line up with pipe), and then turn on breaker to start pump.



PUMP PRIMING AND STARTUP

⚠ IMPORTANT: If the pump fails to prime within five minutes:

- Turn the power off at the break box. Check all pipe connections for leaks, making sure all connections are water and air tight. Check the inlet pipe for any sagging, making sure the inlet pipe is in a straight line to the pump. Watch for leaks or a milky color in the discharged water, which indicated an air leak. Re-prime if necessary, following steps 1 through 6. Reset breaker at the breaker box.

⚠ IMPORTANT: If the pump hums instead of pumping or turns off repeatedly, shut pump off immediately. Check voltage. Pump is wired to run on 230 volts. If the pump cuts out or stops, you may be attempting to connect to 115 volts. See PUMP ELECTRICAL INSTRUCTIONS Page 17 to see how to correctly change the motor voltage to 115 volts.

SPECIFICATIONS

MOTOR DATA CHART - HSP SERIES					
HP	Phase	Volts	Code Letter	Max Amps	Locked Rotor Amps
1	1	115	H	17.6	62.0
	1	230		8.8	31.0
1-1/2	1	115	G	23.6	72.0
	1	230		11.8	36.0
2	1	115	G	23.6	108.0
	1	230		11.8	54.0

PERFORMANCE

Model	HP	Suction Lift (FT)	Capacity - U.S. Gallons per Hour Discharge Pressure (PSI)						Suction Pipe	Discharge Pipe
			15	20	25	30	35	40		
HSP10P1	1	10	3420	3120	2700	2100	1200	0	2"	1-1/2"
		15	2820	2640	2220	1800	600	0		
		20	2640	2520	2160	1500	480	0		
		25	1440	1380	1320	1020	300	0		
HSP15P1	1-1/2	10	4092	3894	3564	3168	2508	1716	2"	1-1/2"
		15	3780	3660	3420	2970	2310	1188		
		20	3366	3300	2838	2640	1848	600		
		25	2520	2490	2430	2280	1452	0		
HSP20P1	2	10	4309	4172	4036	3625	3078	2462	2"	1-1/2"
		15	3894	3780	3600	3300	2772	2112		
		20	3557	3488	3420	3215	2531	1573		
		25	2640	2599	2531	2430	2220	720		

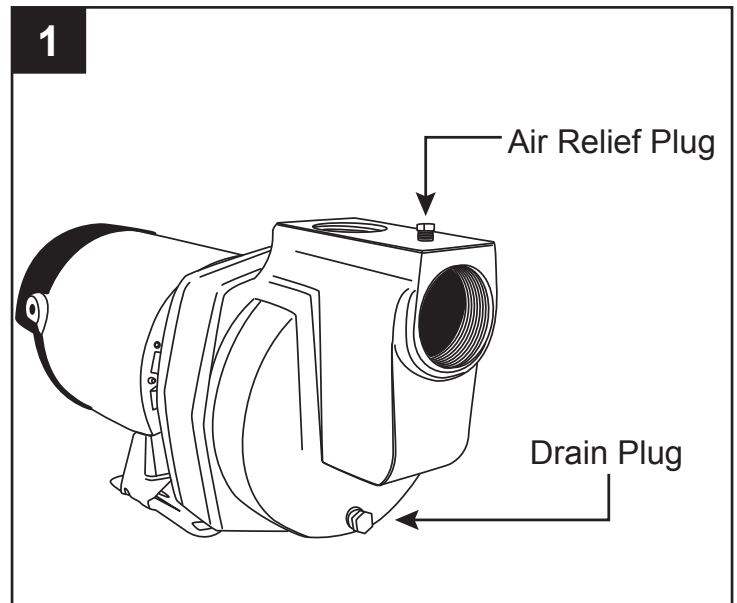
TROUBLESHOOTING

Problem	Possible Cause	Corrective Action
A. Little or no discharge	<ol style="list-style-type: none"> 1. Casing not initially filled with water 2. Vertical lift too high, or too long 3. Hole or air leak in inlet line 4. Foot valve too small 5. Foot valve or inlet line not submerged deep enough in water 6. Motor wired incorrectly 7. Inlet or outlet line valves closed 	<ol style="list-style-type: none"> 1. Fill pump casing 2. Move pump closer to water source 3. Repair or replace inlet line. Use thread tape and pipe sealing compound 4. Match foot valve to piping or install one size larger foot valve. 5. Submerge foot valve lower in water 6. Check wiring diagram 7. Open valves
B. Pump will not deliver water or develop pressure	<ol style="list-style-type: none"> 1. No priming water in casing 2. Leak in inlet line 3. Outlet line is closed and priming air has nowhere to go 4. Inlet line (or valve) is closed 5. Foot valve is leaking 6. Inlet screen clogged 	<ol style="list-style-type: none"> 1. Fill pump casing 2. Repair or replace 3. Open ball valve 4. Open line or valve 5. Replace foot valve 6. Clean or replace inlet screen
C. Loss of suction	<ol style="list-style-type: none"> 1. Hole or air leak in inlet line 2. Vertical lift too high 3. Insufficient inlet pressure or suction head 4. Clogged foot valve or strainer 	<ol style="list-style-type: none"> 1. Repair or replace inlet line. Use thread tape and pipe sealing compound 2. Reduce vertical lift, install foot valve and prime 3. Increase inlet pressure by adding more water to tank or increasing back pressure 4. Inspect foot valve and/or strainer for debris, and remove
D. Pump vibrates and/ or makes excessive noise	<ol style="list-style-type: none"> 1. Mounting plate or foundation not rigid enough 2. Foreign material in pump 3. Impeller damaged 	<ol style="list-style-type: none"> 1. Reinforce plate or foundation 2. Disassemble pump and clean 3. Replace impeller
E. Pump will not start or run	<ol style="list-style-type: none"> 1. Motor wired incorrectly 2. Blown fuse or open circuit breaker 3. Loose or broken wiring 4. Stone or foreign object lodged in impeller 5. Motor overheated 	<ol style="list-style-type: none"> 1. Check wiring diagram 2. Replace fuse or close circuit breaker 3. Tighten connections, replace broken wiring 4. Disassemble pump and remove foreign object 5. Allow unit to cool, restart after cooling
F. Pump loses prime.	<ol style="list-style-type: none"> 1. Clogged foot valve or strainer 2. Worn or broken foot valve 3. Hole or air leak in inlet line 	<ol style="list-style-type: none"> 1. Inspect foot valve and/or strainer for debris, and remove. 2. Inspect and replace 3. Repair or replace inlet line. Use thread tape and pipe sealing compound

CARE AND MAINTENANCE

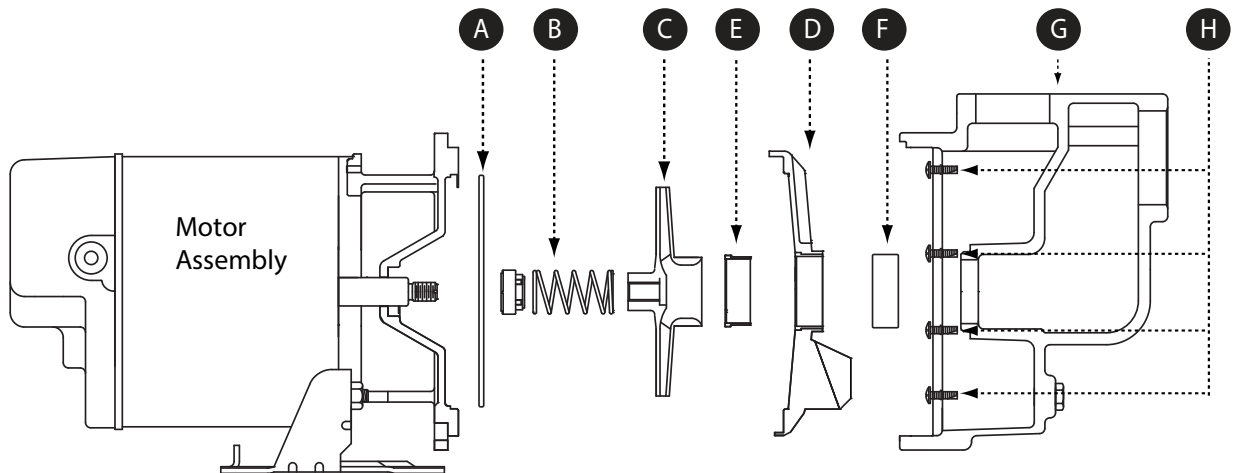
Winterizing

⚠ CAUTION: Drain the entire system if there is danger of freezing. A drain plug is provided at the bottom of pump for this purpose. Remove drain plug then loosen air relief plug.



REPLACEMENT PARTS LIST

To order parts, call 1-800-742-5044



HSP SERIES		HP	1	1-1/2	2
ITEM	SINGLE PHASE	MODEL NO.	HSP10P1	HSP15P1	HSP20P1
	DESCRIPTION	PART NO.			
A	Ring, Square Cut	132429	1	1	1
B	Seal, Rotary and Ceramic (with Spring)	131100	1	1	1
C	Impeller	023211	021280	134138	134138
D	Diffuser	132425	1	1	1
E	Diffuser Insert	134240	1	1	1
F	Rubber Diffuser	132428	1	1	1
G	Pump Body	023115	1	1	1
H*	Hex Hd. Cap Screws 3/8 in. x 3/4 in.	*	4	4	4

(*) Standard hardware item

NOTE: Motor assembly not available as a replacement part.

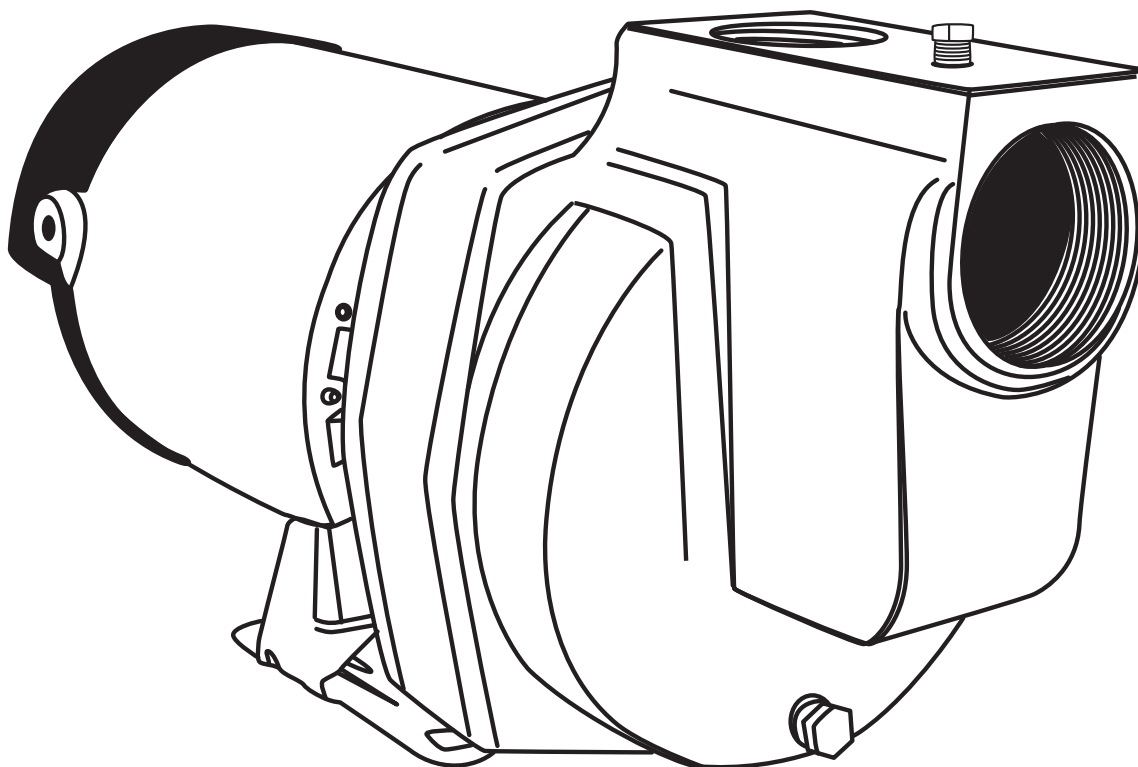


WATER SYSTEMS

110 West Division St. | Boonville, IN 47601
starwatersystems.com

REGADOR DE CÉSPED, BOMBA DE IRRIGACIÓN

MODELO #HSP10P1, HSP15P1, HSP20P1



ADJUNTE SU RECIBO AQUÍ:

Número de serie _____ Fecha de compra _____



¿Preguntas, problemas, piezas faltantes? Antes de volver a la tienda, comuníquese con nuestro Departamento de Servicio al Cliente al 1-800-742-5044, de lunes a viernes, de 07:30 a.m. a 5:00 p.m. (hora estándar del Este).

023121S N

INFORMACIÓN DE SEGURIDAD

Lea y comprenda completamente este manual antes de intentar ensamblar, usar o instalar el producto.

NOTA: Las bombas con la marca "UL" y las bombas con la marca "US" son probadas para cumplir los estándares de UL UL778. Las bombas certificadas por CSA están certificadas para cumplir los estándares de CSA C22.2 No. 108. (CUS)

PELIGRO



RIESGO DE DESCARGA ELÉCTRICA.

Siempre desconecte la fuente de alimentación antes de llevar a cabo cualquier trabajo en el motor o cerca de éste, o en su carga conectada. Si el punto de desconexión de la alimentación está fuera de la vista, fíjelo en la posición abierta y etiquételo para evitar una aplicación de alimentación inesperada. El incumplimiento de dicho paso podría provocar una descarga eléctrica fatal.

RIESGO DE DESCARGA ELÉCTRICA.

No manipule la bomba con las manos húmedas ni cuando esté parado en el agua, ya que podría ocurrir una descarga eléctrica fatal. SIN IMPORTAR EL MOTIVO, desconecte la alimentación principal antes de manipular la unidad.

RIESGO DE DESCARGA ELÉCTRICA.

No se ha verificado el uso de estas bombas en piscinas.

ADVERTENCIA



ALERTA DE DESCARGA ELÉCTRICA.

Siga todos los códigos locales eléctricos y de seguridad, además del Código nacional de electricidad (NEC, por sus siglas en inglés) y el de la Administración de Salud y Seguridad Ocupacional (OSHA, por sus siglas en inglés).

ALERTA DE DESCARGA ELÉCTRICA.

Reemplace inmediatamente los cables dañados o desgastados.

ALERTA DE DESCARGA ELÉCTRICA.

No pliegue el cable de alimentación ni permita que entre en contacto con aceite, grasa, superficies calientes ni sustancias químicas.

ALERTA DE DESCARGA ELÉCTRICA.

La unidad debe contar con una puesta eléctrica a tierra segura y apropiada. Esto se puede lograr conectando el cableado de la unidad a un sistema de canaletas con revestimiento metálico y puesta a tierra o usando un conductor de tierra separado conectado al metal sin revestir de la estructura del motor u otros medios adecuados.

ALERTA DE PRODUCTO QUÍMICO.

Este producto contiene sustancias químicas reconocidas por el estado de California como causantes de cáncer y defectos congénitos u otros daños en el aparato reproductivo.

PRECAUCIÓN

PUEDE OCURRIR DESCARGA ELÉCTRICA

Proteja el cable de alimentación del contacto con objetos afilados.

LA SUPERFICIE CALIENTE PUEDE CAUSAR QUEMADURAS

Sea cuidadoso al tocar el exterior de un motor en funcionamiento, ya que puede estar lo suficientemente caliente como para causar dolor o alguna lesión.

PUEDE PROVOCAR DAÑO AL PRODUCTO

Asegúrese de que la fuente de energía cumpla los requisitos de su equipo.

PREPARACIÓN

Antes de comenzar la instalación del producto, asegúrese de tener todas las piezas. Compare las piezas con el dibujo del contenido del paquete. No intente ensamblar el producto si falta alguna pieza o si éstas están dañadas. Póngase en contacto con el servicio al cliente para obtener piezas de repuesto.

Tiempo de instalación estimado: 2 horas.

Herramientas necesarias para el ensamblaje: (no se incluyen): Sierra de mano, llaves para tuberías (2), pinzas pelacables, pinzas de punta fina, destornillador Phillips, pinzas cortacables, llave ajustable.

Piezas necesarias para el ensamblaje (no se incluyen): Tubo de PVC de 2" cédula 40, tubo de PVC de 1-1/2" cédula 40, adaptador deslizante de 2" MPT por 2", adaptador deslizante de 1-1/2" MPT por 1-1/2", tubería en T de 1-1/2", deslizador de 1-1/2" x boquilla reductora para rosca hembra FPT de 1-1/4", tapón MPT de 1-1/4", codo de tubo de 2" y 90°, codo de tubo de 1-1/2" y 90°, cinta para roscas, aliviador de tensión del cable eléctrico de 1/4", sistema de pegamento PVC de 2 pasos (cebado y sellado), y pasta para roscas.

Piezas opcionales para el ensamblaje (no se incluyen)

- 1. Tapón de cebado con indicador de presión:** Se utiliza en vez de usar únicamente un tapón de cebado. Ayuda a determinar si la bomba está cebada, indica si la bomba opera correctamente y qué tipo de presión hay en el sistema al operar.
 - (1) MPT de 1-1/4 pulgada x boquilla reductora para rosca macho NPT de 1-1/2 pulgada
 - (1) MPT de 1/2 pulgada x boquilla reductora para rosca macho NPT de 1/4 pulgada
 - (1) Indicador de presión de 100 PSI
- 2. Uniones:** Se usa para el retiro fácil de la bomba del sistema de riego.
 - (2) Unión de 2 pulgadas
 - (1) Unión de 1-1/2 pulgada
- 3. (1) Válvula de bola de 1-1/2 pulgada:** Evita el reflujo de agua del sistema de riego cuando se retira la bomba del sistema.
- 4. Acopladores de 1-1/2 pulgada:** Cantidad determinada por la longitud total de la tubería utilizada.
- 5. Acopladores de 2 pulgadas:** Cantidad determinada por la longitud total de la tubería utilizada.

INFORMACIÓN GENERAL ACERCA DE LA BOMBA

CONFIGURACIÓN TÍPICA DE LA BOMBA

Las configuraciones típicas para los sistemas de bomba de riego para césped incluyen pozos de agua del subsuelo (Fig. 1) o agua superficial, como lagos, estanques o arroyos. (Fig. 3)

UBICACIÓN

La bomba se debe colocar lo más cerca posible de la fuente de agua y debe estar protegida de los elementos para obtener un mejor rendimiento.

VENTILACIÓN

Se debe proporcionar ventilación y drenaje para evitar daños al motor producto de la humedad y el calor.

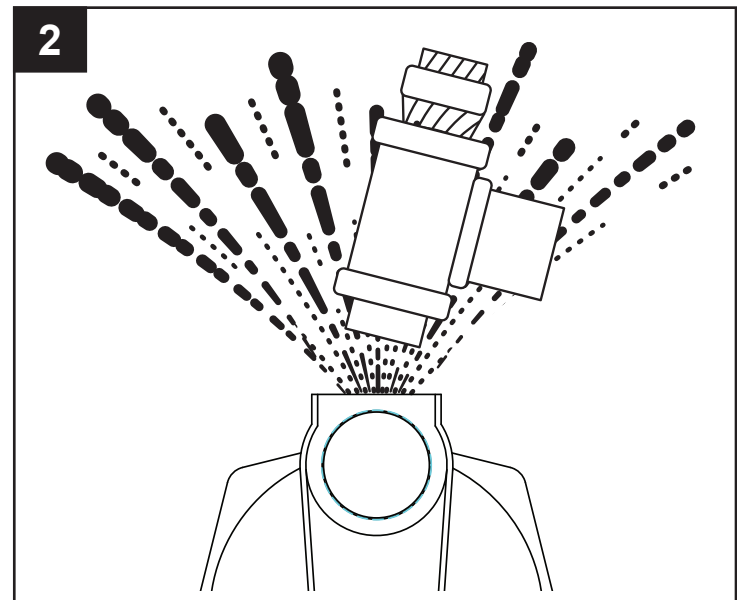
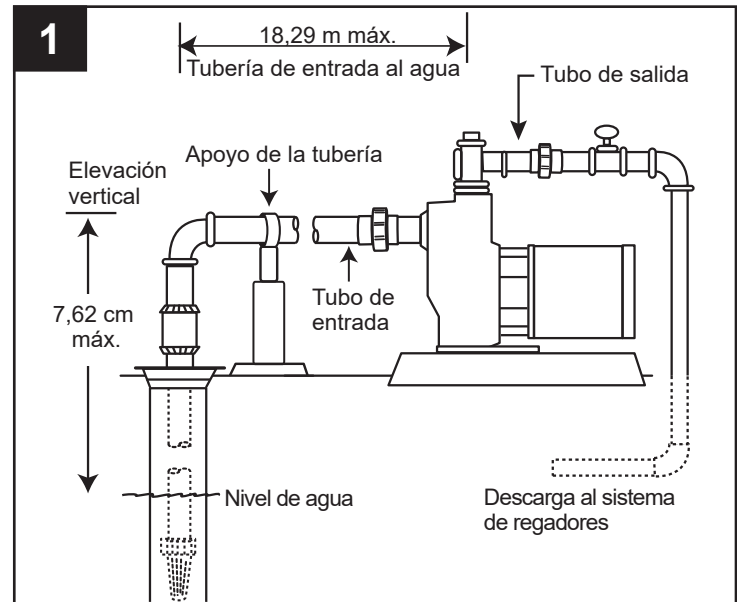
CONGELAMIENTO

La bomba y todas las tuberías deben estar protegidas de temperaturas muy frías. Si se pronostica clima muy frío, drene la bomba o retírela por completo del sistema de riego.

SUMINISTRO DE AGUA

La fuente de agua debe tener la capacidad de suministrar agua suficiente para satisfacer la capacidad de la bomba y las necesidades de agua. Consulte la tabla de desempeño en la página 21.

ADVERTENCIA: NUNCA haga funcionar la bomba (A) contra una válvula de descarga cerrada. El hacerlo puede hervir el agua al interior de la bomba, lo cual ocasionará una presión peligrosa en la unidad, riesgo de explosión y quemaduras en las personas que estén manipulando la bomba. (Fig. 2)



INFORMACIÓN GENERAL ACERCA DE LA BOMBA

ELEVACIÓN DE SUCCIÓN

La elevación de succión es la distancia vertical desde el nivel más bajo de agua hasta la entrada de la bomba. La bomba moverá el agua siempre y cuando se encuentre a 25 pies en vertical de la fuente de agua.

DISTANCIA HORIZONTAL

La distancia horizontal es la medida horizontal entre la bomba de succión y la fuente de agua. La distancia puede afectar la capacidad de operación de la bomba. Si mide más de 18,29 metros, llame al fabricante al 1-800-742-5044 para obtener ayuda.

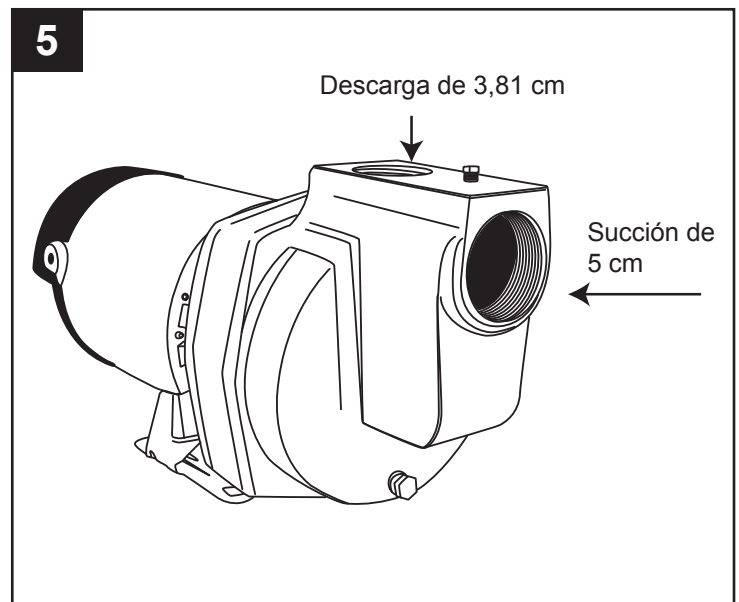
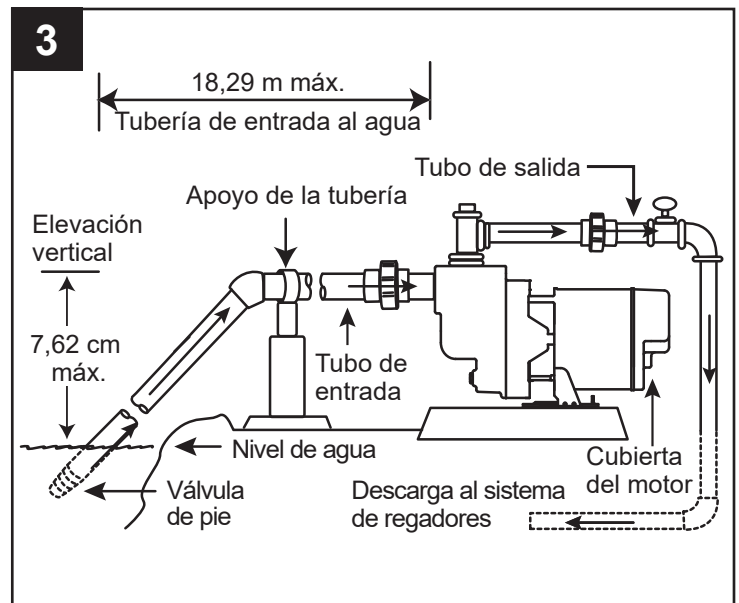
TUBERÍA Y ACCESORIOS

Use tubería y accesorios de acero galvanizado o de PVC cédula 40 NSF PW. Este material está diseñado para funcionar con la presión del agua y sellará contra aire y agua bajo presión. No usar: Los accesorios DWV, ya que estos están diseñados para drenajes sin presión y no sellarán de manera adecuada.

⚠ PRECAUCIÓN: Todo el sistema debe ser impermeable al aire y al agua para mantener el cebado y un funcionamiento eficiente.

TAMAÑO DEL CABLE:

El tamaño del cable está determinado por la distancia de la caja del interruptor al motor de la bomba y los caballos de fuerza de la clasificación del motor. Consulte la tabla de tamaños de cable en la página 15 para ver los tamaños correctos.



PREPARACIÓN DE LA BOMBA PARA POZO Y AGUA SUPERFICIAL

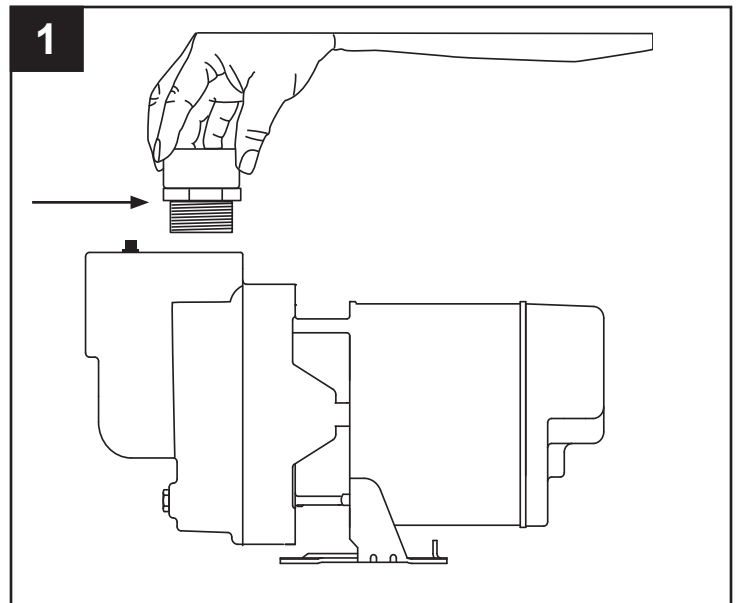
⚠ PRECAUCIÓN: Ajuste completamente el ensamblaje para asegurarse de obtener un ajuste adecuado antes de unir las piezas definitivamente.

⚠ PRECAUCIÓN: Siga todos los procedimientos adecuados para unir como lo especifica el fabricante de adhesivo. Siempre que sea posible coloque el adhesivo en dirección vertical para evitar que gotee dentro de la tubería o los conectores.

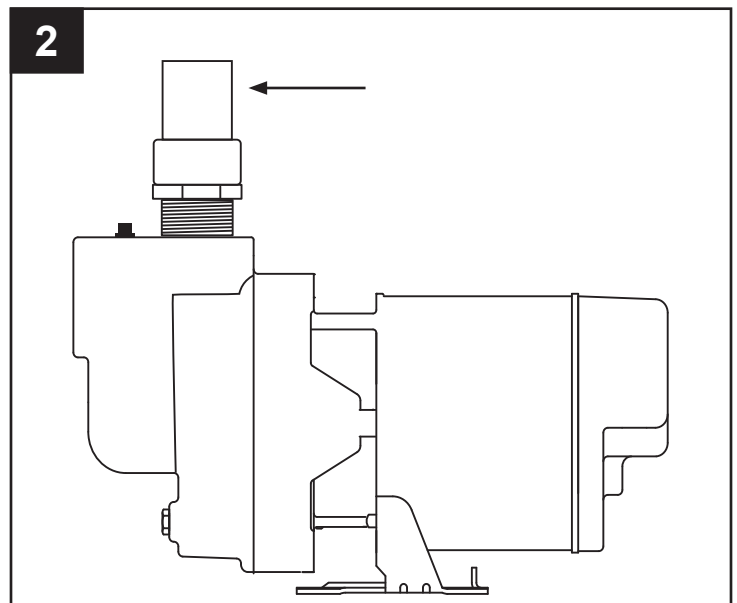
⚠ PRECAUCIÓN: Use cinta para roscas y un compuesto de pasta para roscas en todas las roscas macho, excepto en las uniones. Apriete firmemente con una llave y gire otro $\frac{1}{4}$ de vuelta para asegurar un sellado adecuado.

PREPARACIÓN DE LA BOMBA PARA POZO Y AGUA SUPERFICIAL

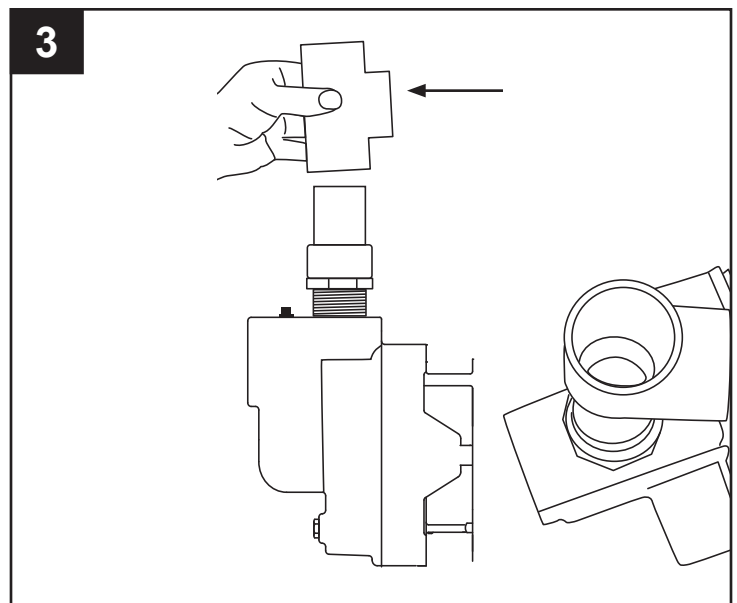
1. Conexión roscada de 1-1/2 pulgada MPT x deslice el adaptador de 1-1/2 pulgada (no se incluye) en el puerto de salida que se encuentra en la parte superior de la estructura de la bomba.



2. Una con adhesivo una pieza de 6 pulgadas de tubería de 1-1/2 pulgada (no se incluye) dentro del adaptador.

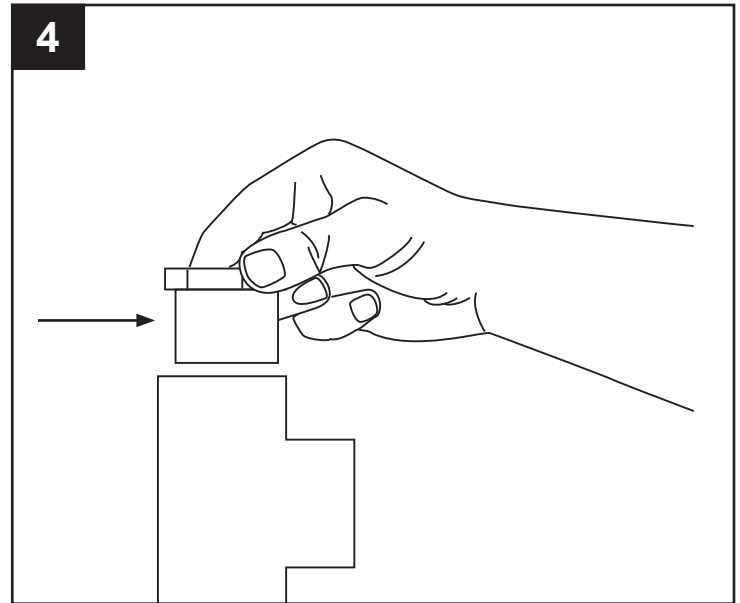


3. Adhiera una unión en T de 1-1/2 pulg (no incluida) a la tubería.

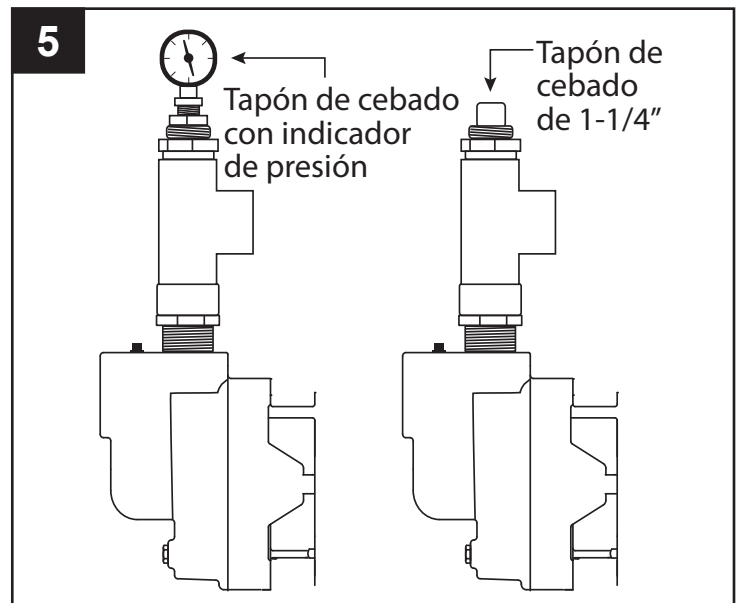


PREPARACIÓN DE LA BOMBA PARA POZO Y AGUA SUPERFICIAL

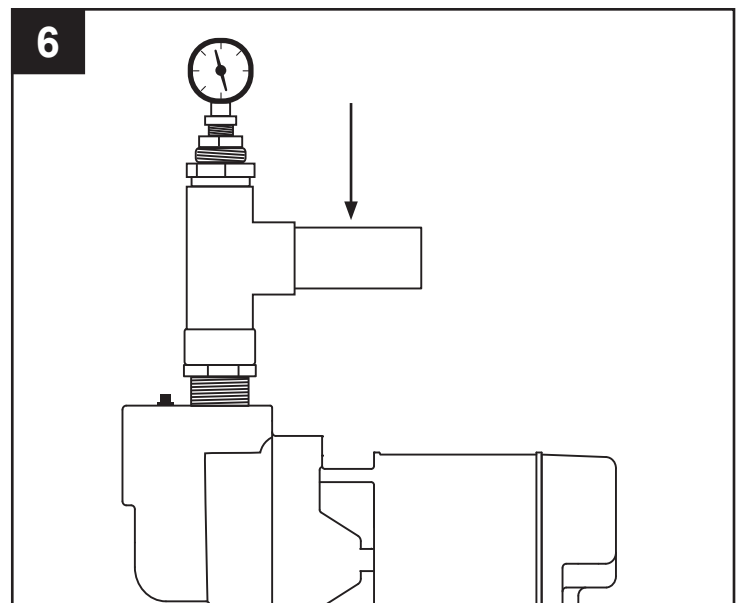
- Una con adhesivo el deslizador de 1-1/2 pulgada x el adaptador de 1-1/4 pulgada (no se incluye) a la abertura superior de la unión en T de 1-1/2 pulgada.



- Enrosque el tapón de cebado de 1-1/4 pulg o tapón de cebado opcional al indicador de presión (ninguno incluidos).
NOTA: Apriete a mano únicamente, ya que esto será retirado para el cebado.

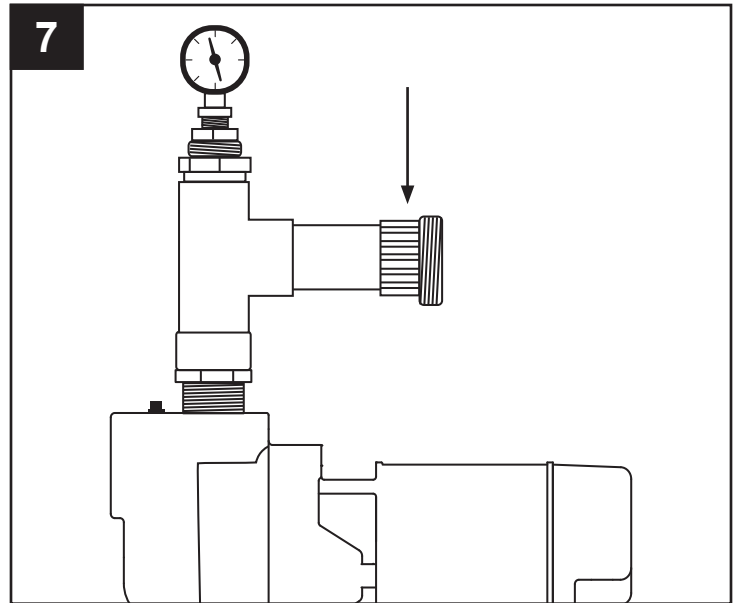


- Una con adhesivo una sección de 15,24 cm de una tubería de 1-1/2 pulgada (no se incluye) dentro de la abertura en la unión en T de 1-1/2 pulgada.

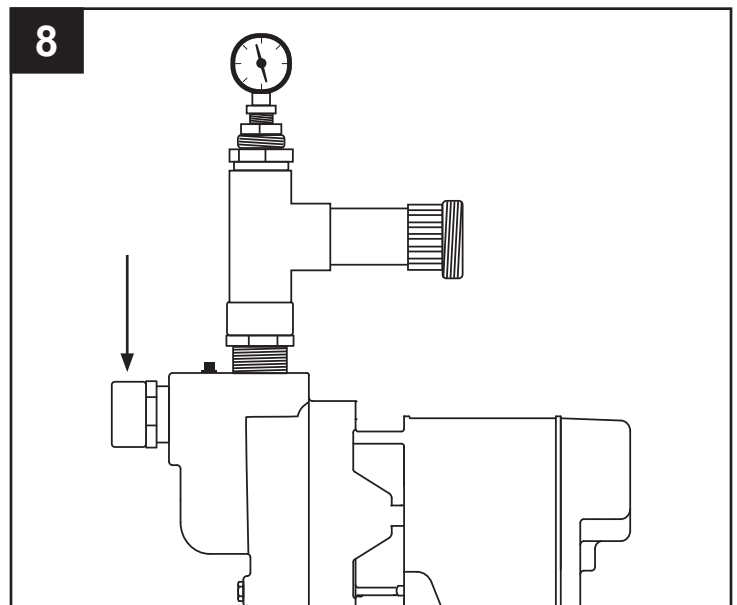


PREPARACIÓN DE LA BOMBA PARA POZO Y AGUA SUPERFICIAL

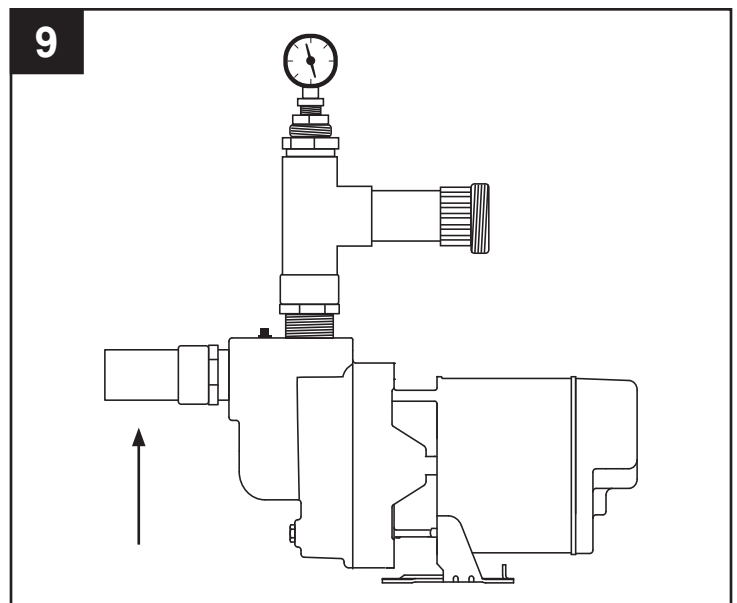
7. Enrosque el costado del adaptador macho de 1-1/2 pulgada de la unión (no se incluye) a la tubería.



8. Enrosque el MPT de 2 pulgadas x 2 pulgadas del adaptador deslizante (no se incluye) en el puerto de entrada localizado en la parte frontal de la bomba.

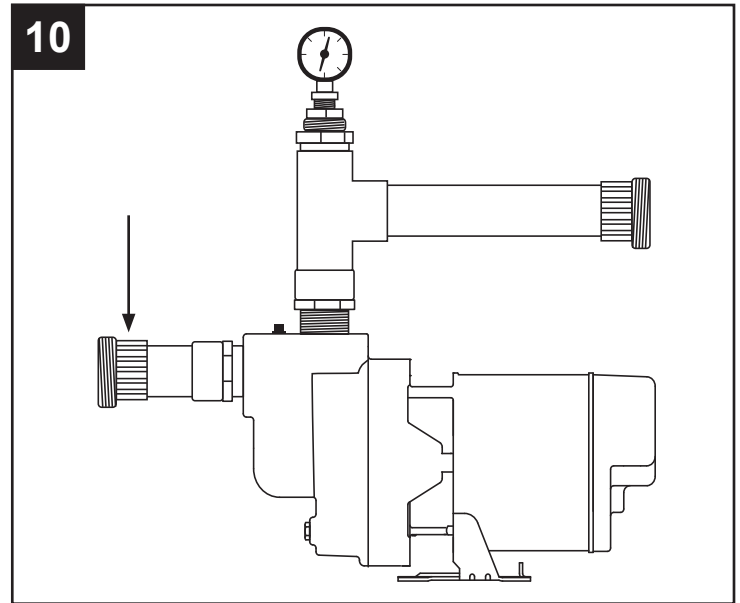


9. Una con adhesivo una sección de 20,32 cm de una tubería de 2 pulgadas (no se incluye) dentro del adaptador de 2 pulgada.



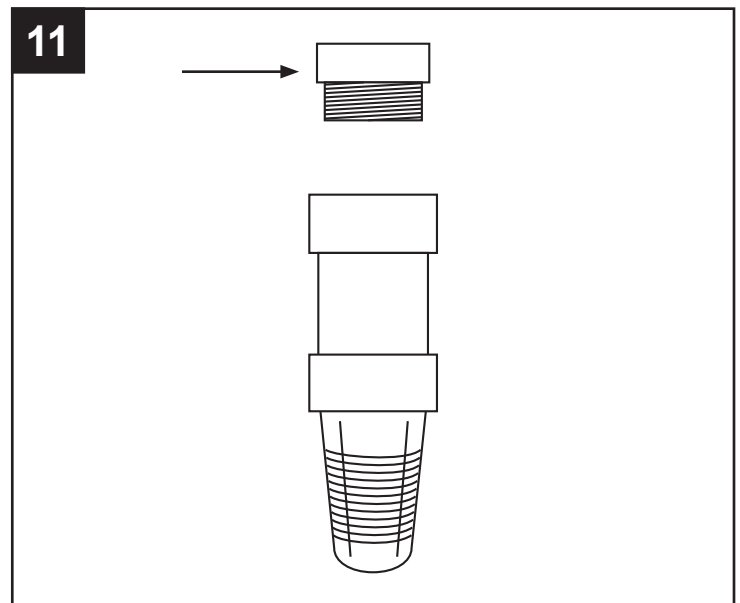
PREPARACIÓN DE LA BOMBA PARA POZO Y AGUA SUPERFICIAL

10. Una con adhesivo un costado de la unión de 2 pulgada (no se incluye) en la tubería

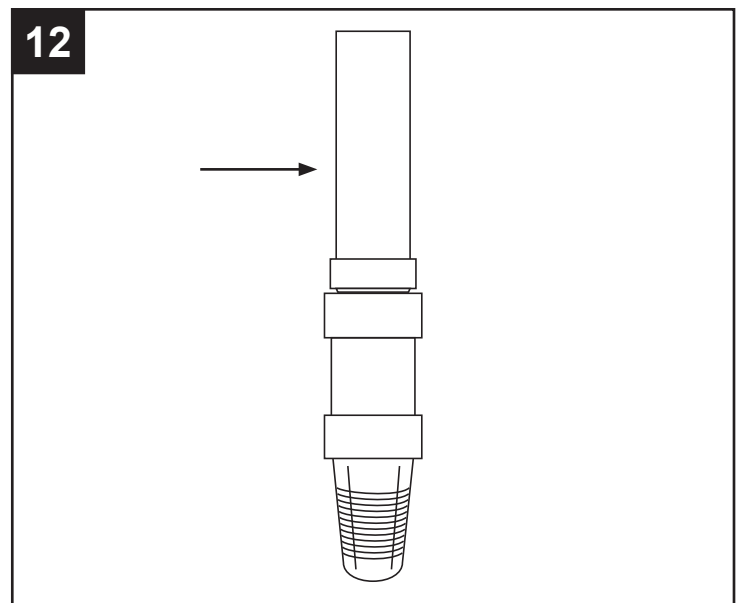


PARA POZOS

11. Enrosque el adaptador macho MPT de 2" x el adaptador deslizante de 2" (no se incluye) en la válvula de pie.

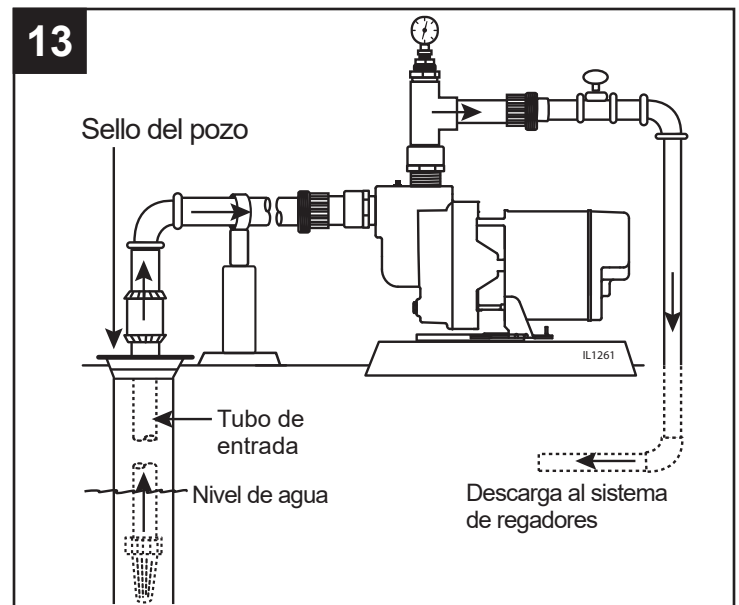


12. Una con adhesivo la tubería de 2 pulgada (no se incluye) dentro del adaptador. Una con adhesivo y con acopladores de 2 pulgada (no se incluye) suficientes secciones de la tubería para que la válvula de pie esté completamente sumergida en el agua. Asegúrese de que la tubería de entrada permanezca totalmente sumergida en el nivel más bajo posible de la fuente de agua.

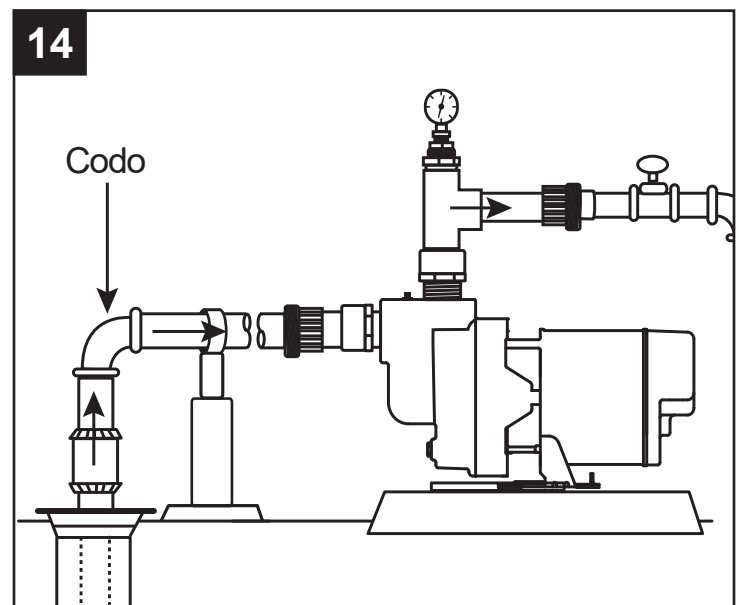


PREPARACIÓN DE LA BOMBA PARA POZO Y AGUA SUPERFICIAL

13. Coloque bien el sello (no se incluye) para que sostenga bien la tubería de entrada en el pozo.



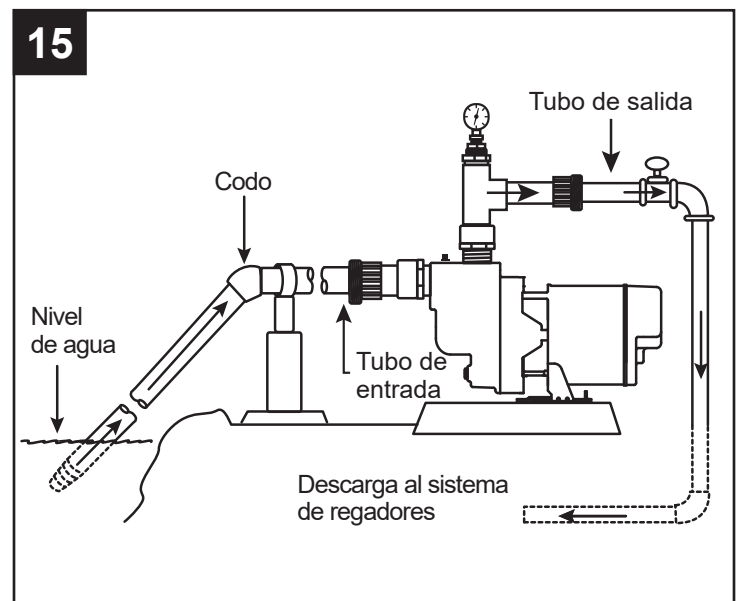
14. Una con adhesivo un codo de 90° (no se incluye) cuando la tubería de entrada esté en línea con el puerto de entrada de la bomba.



PARA INSTALACIONES EN SUPERFICIE DE AGUA

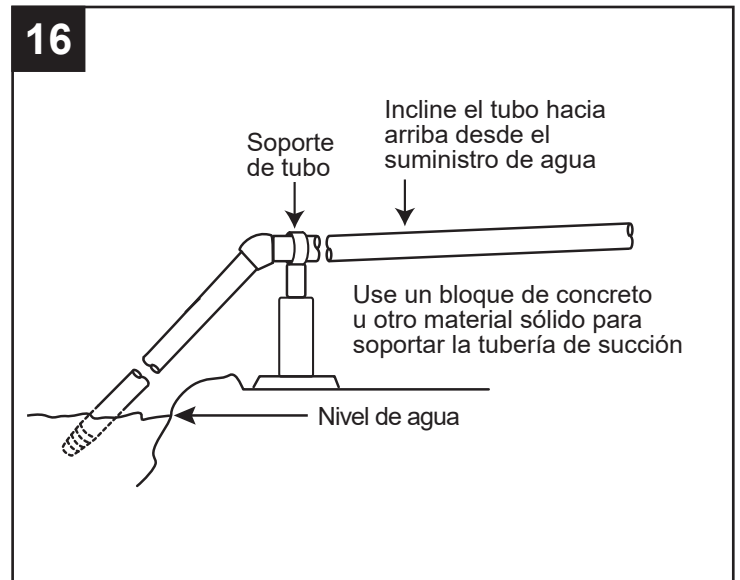
Para instalaciones en superficie de agua, siga los pasos 11 y 12 anteriores y luego:

15. Una con adhesivo un codo de 45° (no se incluye) cuando la tubería de entrada esté en línea con el puerto de entrada de la bomba.



PREPARACIÓN DE LA BOMBA PARA POZO Y AGUA SUPERFICIAL

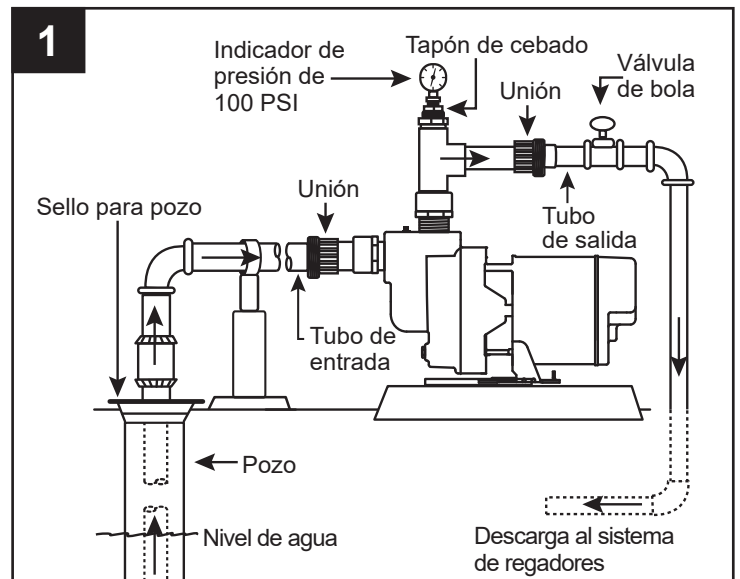
16. Sostenga la tubería de entrada con el soporte para ésta (no se incluye).



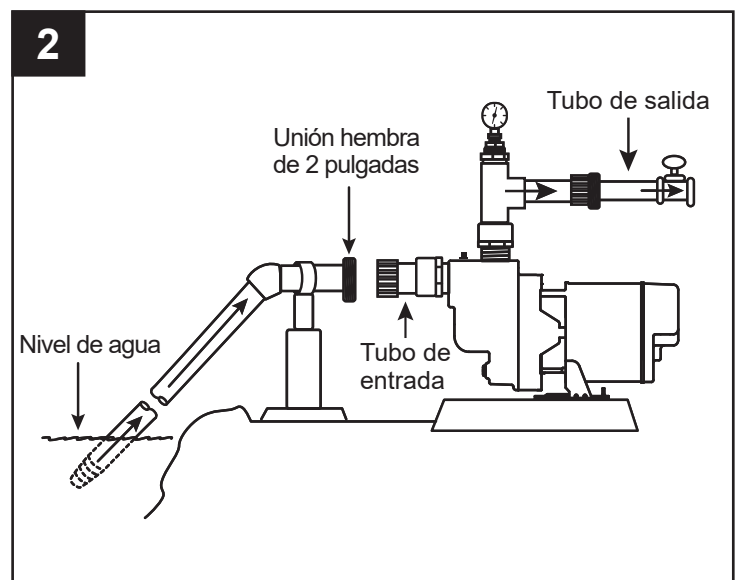
ENSAMBLAJE DE LA BOMBA PARA AGUA DE POZO Y SUPERFICIE

1. Monte la bomba en un cimiento sólido tan cerca como sea posible de la fuente de agua.

⚠ PRECAUCIÓN: Sostenga la tubería de entrada de 2" del pozo o lago al puerto de entrada para evitar que se afloje. Si se afloja se crearán bolsas de aire dentro de la tubería que evitarán que la bomba se ceba y opere de manera correcta.

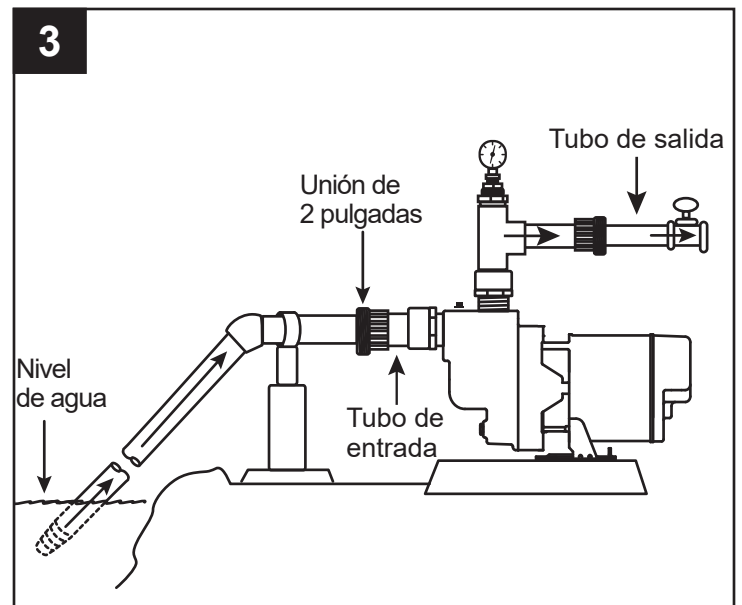


2. Una con adhesivo la unión hembra de 2 pulgadas (no se incluye) al extremo de la tubería de entrada que sale de la fuente de agua.

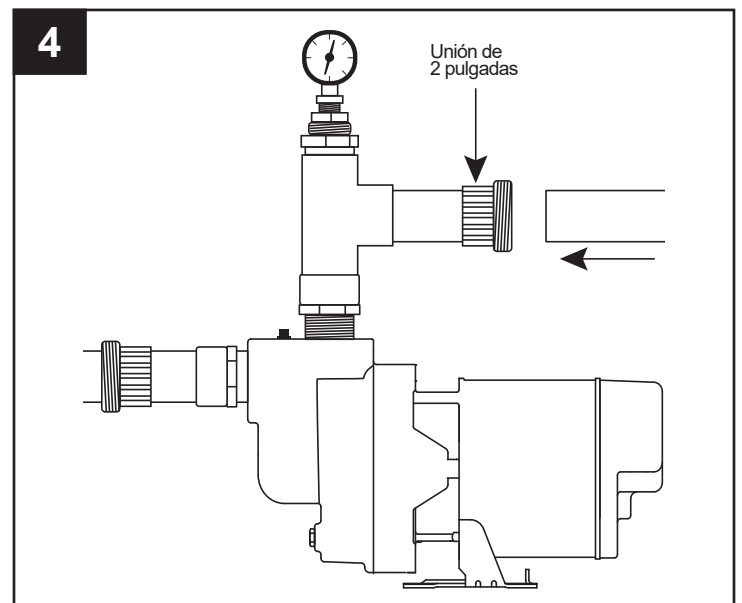


ENSAMBLAJE DE LA BOMBA PARA AGUA DE POZO Y SUPERFICIE

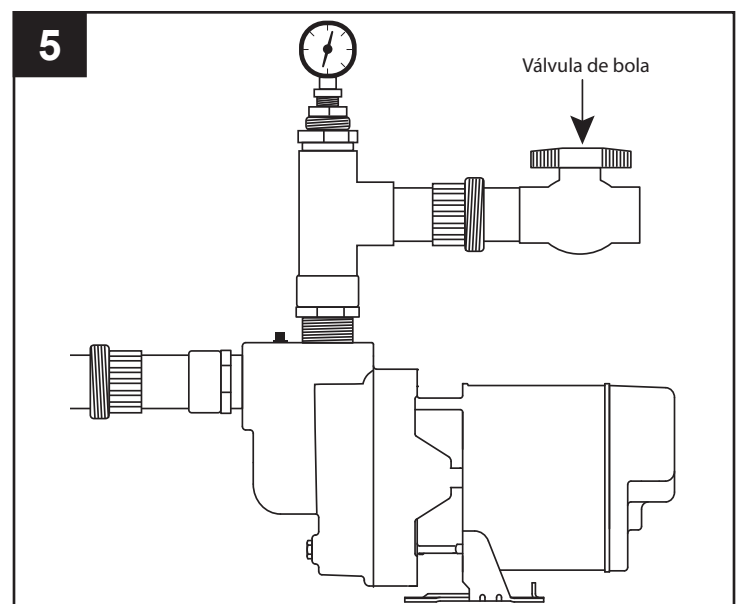
3. Conecte la unión de 2 pulgadas junto para completar la línea de entrada a la bomba.



4. Una con adhesivo la unión de 6 pulgadas de la tubería 1-1/2 pulgada (no se incluye) a la porción hembra de la unión de 1-1/2 pulgadas.

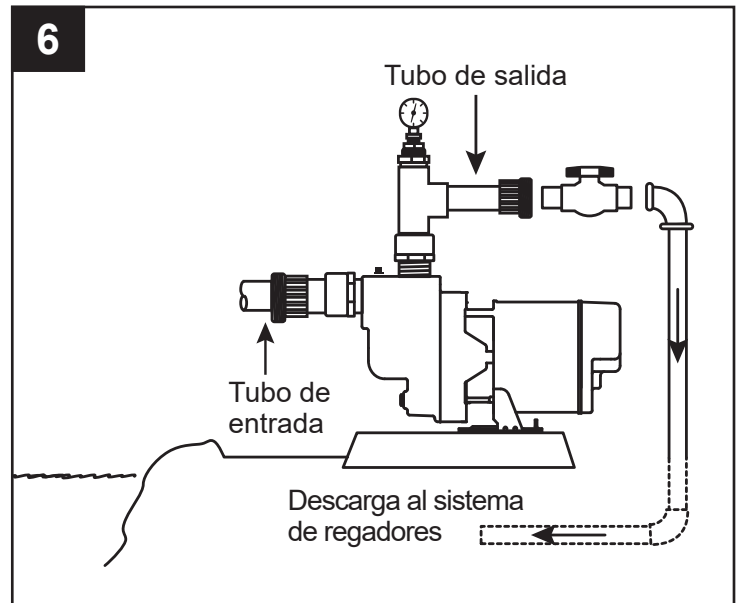


5. Una con adhesivo la válvula de bola de 1-1/2 pulgada (no se incluye) al otro extremo de la pieza de la tubería de 6 pulgadas.



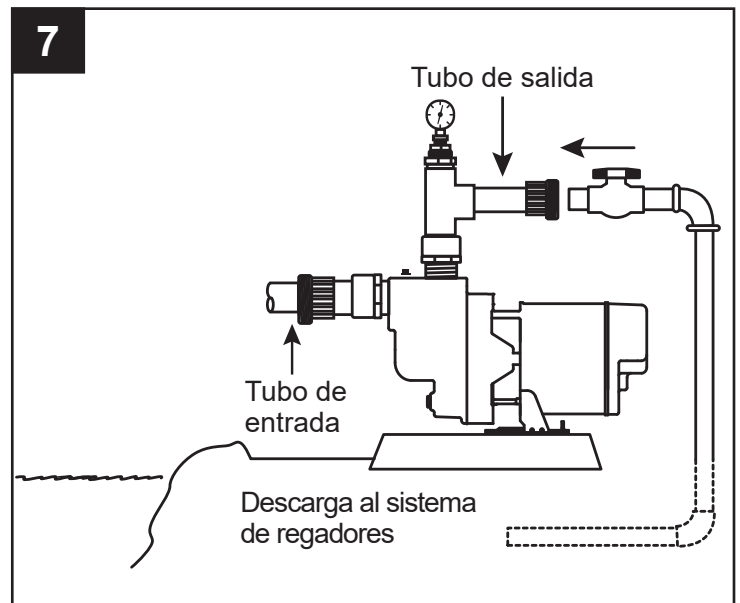
ENSAMBLAJE DE LA BOMBA PARA AGUA DE POZO Y SUPERFICIE

6. Conecte la tubería de salida de 1-1/2 pulgada al sistema de riego (no se incluye) al unir con adhesivo las secciones adicionales de la tubería según sea necesario.



7. Conecte la unión para asegurar un ajuste adecuado. No apriete hasta después de haber cebado.

⚠ PRECAUCIÓN: No una la unión con adhesivo.



⚠ **ADVERTENCIA**



ALERTA DE DESCARGA ELÉCTRICA.

El cableado de tamaño menor puede causar fallas en el motor e incluso incendios. Use el tamaño adecuado de cable que se especifica en la tabla correspondiente en la página 15.

ALERTA DE DESCARGA ELÉCTRICA.

Reemplace inmediatamente los cables dañados o desgastados.

ALERTA DE DESCARGA ELÉCTRICA.

No pliegue el cable de alimentación ni permita que entre en contacto con aceite, grasa, superficies calientes ni sustancias químicas.

ALERTA DE DESCARGA ELÉCTRICA.

La bomba debe tener una puesta a tierra adecuada con la ayuda del cable con conexión a tierra correcto.

ALERTA DE DESCARGA ELÉCTRICA.

Siempre desconecte la bomba de la fuente de energía antes de llevar a cabo cualquier trabajo en el motor.

PRECAUCIÓN

PUEDE OCURRIR DESCARGA ELÉCTRICA

Todo el cableado debe ser realizado por un electricista calificado de acuerdo con el Código nacional de electricidad y los códigos locales de electricidad.

PUEDE OCURRIR DESCARGA ELÉCTRICA

Conecte la bomba a un circuito eléctrico separado con un interruptor de circuito dedicado. Remítase a la tabla de tamaño del cable a continuación para obtener el tamaño adecuado de fusible.

PUEDE OCURRIR DESCARGA ELÉCTRICA

Proteja el cable de alimentación del contacto con objetos afilados.

PUEDE PROVOCAR DAÑO AL PRODUCTO

Asegúrese de que la fuente de alimentación cumpla con los requisitos de la bomba. Esta bomba tiene un motor de voltaje doble y puede funcionar con 115 voltios o 230 voltios. La bomba tiene un cableado de fábrica que funciona con 230 voltios; remítase a la página 17 si desea cambiar la bomba para que funcione con 115 voltios.

Tabla de tamaños del cable

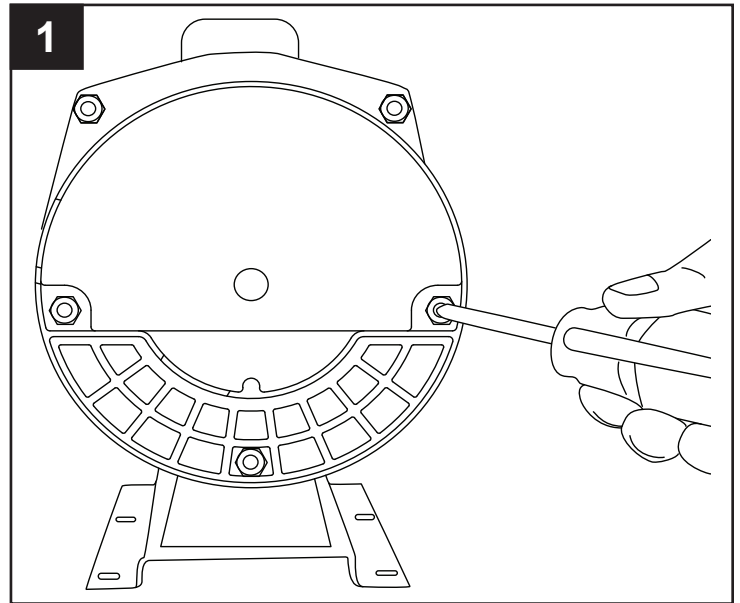
Distancia desde el motor hasta la caja de fusibles, medidor o tomacorrientes	Tabla de tamaños de los cables de cobre (calibre)					
	Motores de fase única					
	1 HP		1,5 HP		2 HP	
	115 voltios	230 voltios	115 voltios	230 voltios	115 voltios	230 voltios
0-15 m	12	14	12	14	12	14
15-30,5 m	8	14	10	14	10	14
30,5-46 m	*	12	8	12	8	12
46-61 m	*	12	*	12	*	10
61-91 m	*	10	*	10	*	10
Tamaño del fusible (amperes)	20	15	20	15	20	15

(*) No es rentable para funcionar en 115 vatios; use 230 vatios

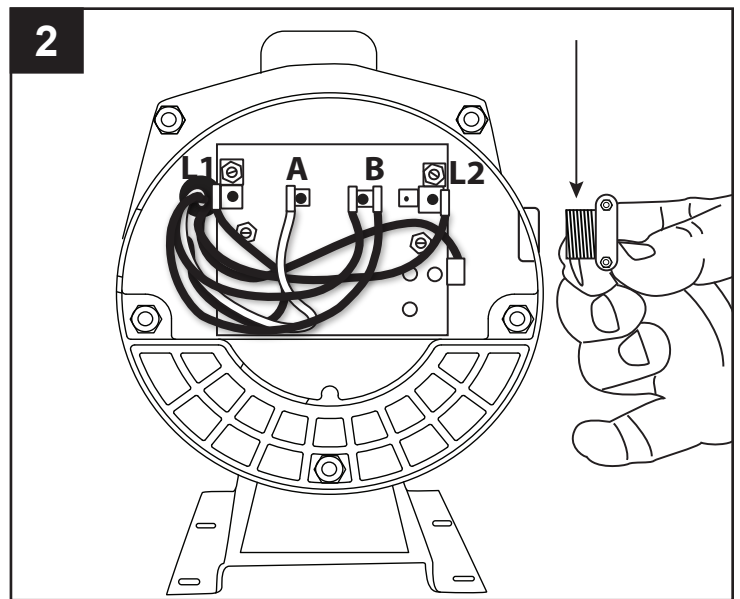
NOTA: Esta bomba puede ser utilizada con una variedad de controles, incluyendo un relé de arranque de la bomba, un interruptor de presión con el tanque y una válvula indicadora. Consulte los detalles en las instrucciones del fabricante del control.

INSTRUCCIONES DEL SISTEMA ELÉCTRICO DE LA BOMBA

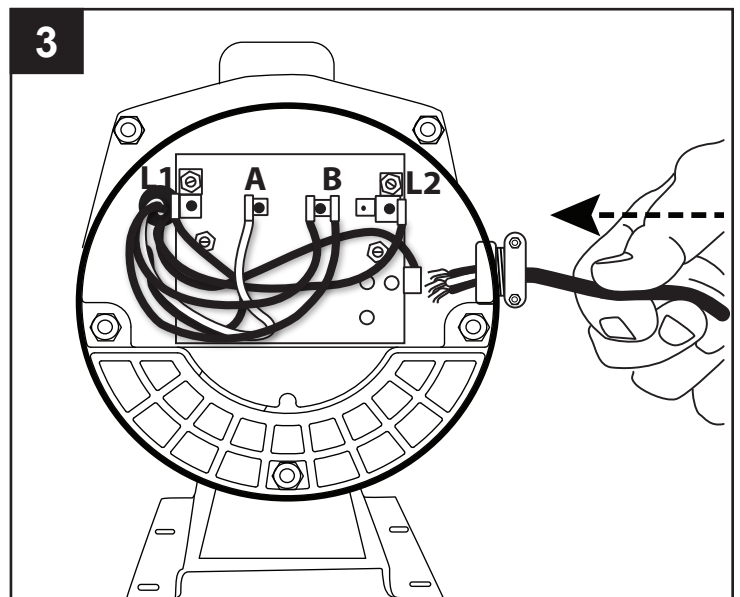
1. Quite la cubierta posterior del motor en la bomba retirando los dos tornillos.



2. Enrosque el aliviador de tensión del cable eléctrico (no se incluye) en la abertura del cable del costado del motor de la bomba.

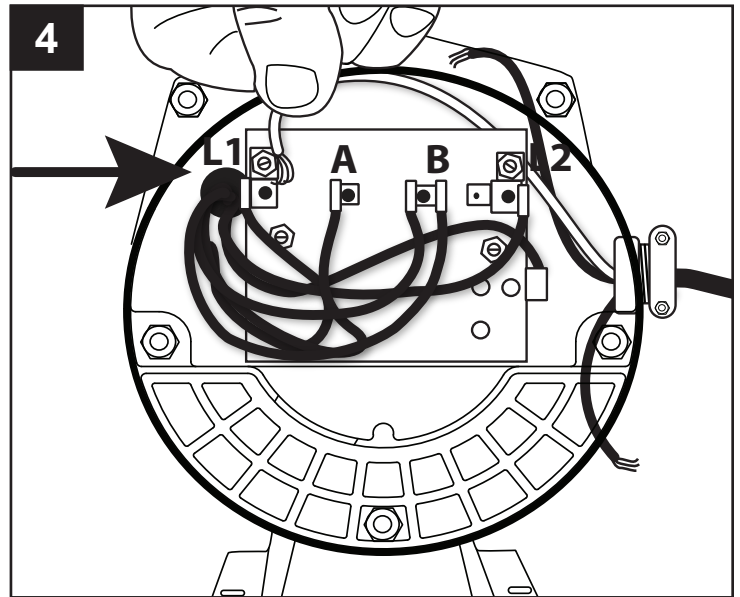


3. Introduzca el cable a través del aliviador de tensión del cable eléctrico y apriete los tornillos.

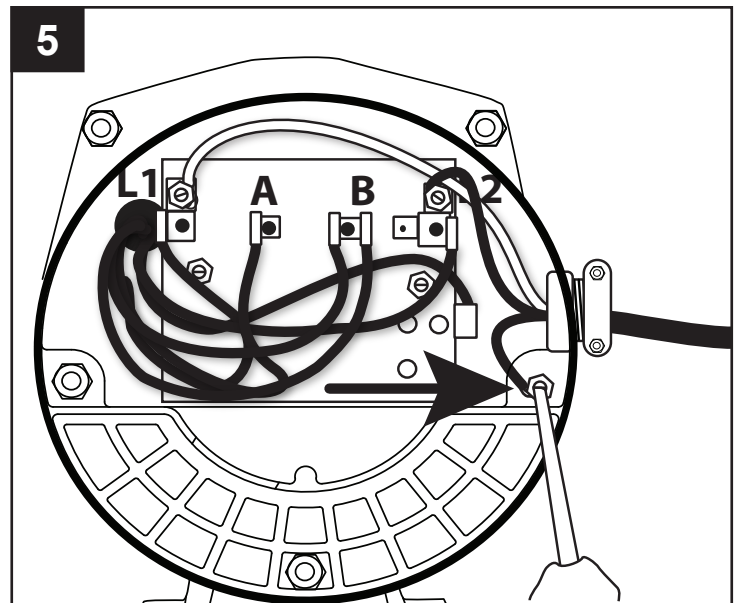


INSTRUCCIONES DEL SISTEMA ELÉCTRICO DE LA BOMBA

4. Conecte el cable blanco a L1 y el cable negro a L2.

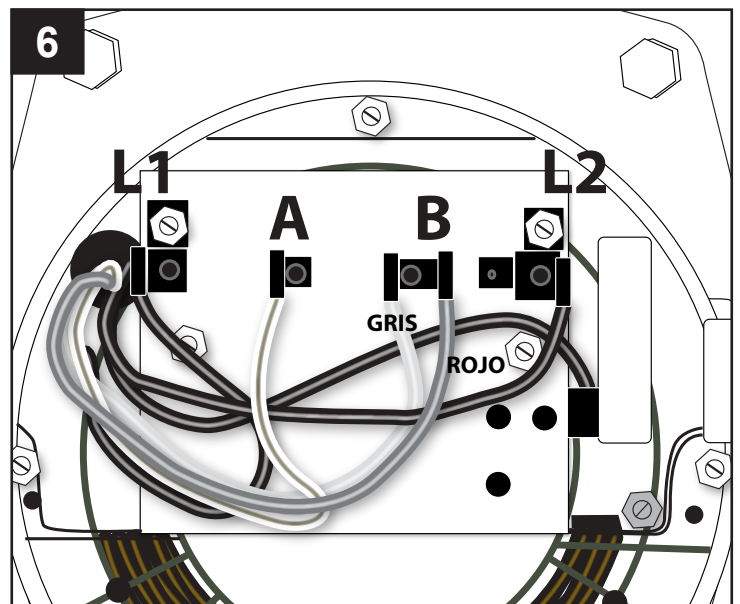


5. Conecte el conductor de tierra verde al tornillo verde de puesta a tierra. Vuelva a instalar



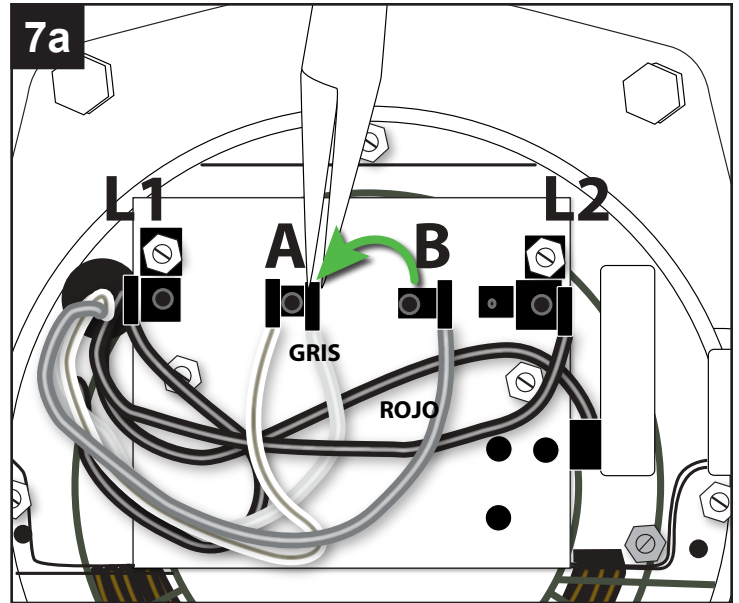
PARA CAMBIAR DE 230 VOLTIOS A 115 VOLTIOS

6. El motor de la bomba es de voltaje doble y puede funcionar ya sea con 115 ó con 230 voltios. En general, es más económico cuando funciona con 230 voltios y necesita cable de menor tamaño. La bomba está predeterminada de fábrica para funcionar con 230 voltios.

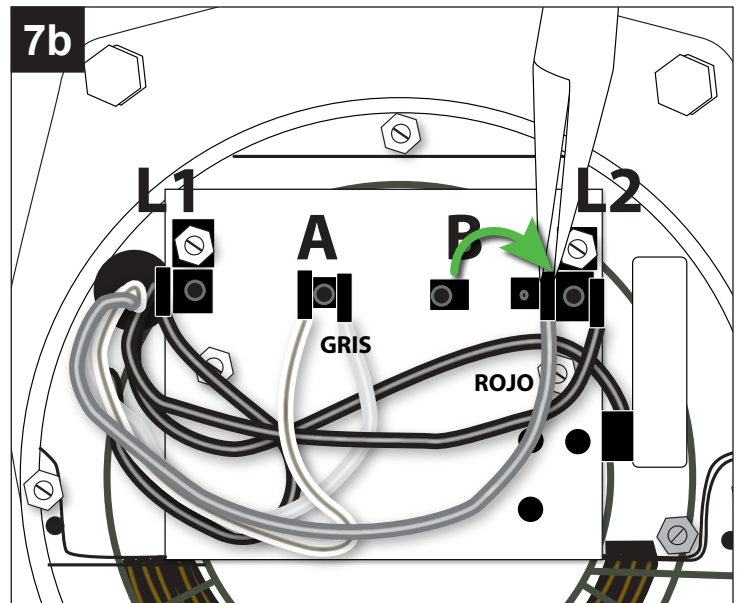


INSTRUCCIONES DEL SISTEMA ELÉCTRICO DE LA BOMBA

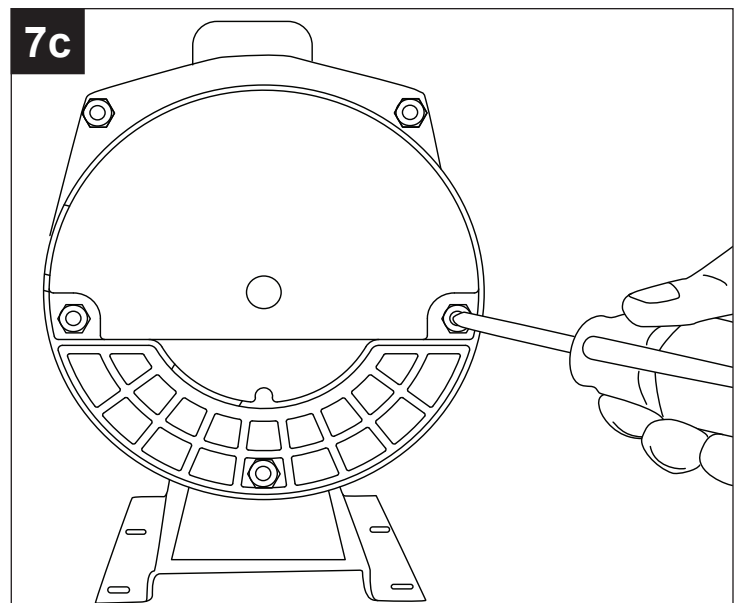
7. Para que funcione con 115 voltios, cambie los siguientes cables en el tablero de terminales.
- Con la ayuda de un par de pinzas de punta fina, jale el cable gris con el conector de bandera hembra del poste de paleta del terminal "B". Colóquelo a la izquierda en el poste de paleta del terminal "A".



- Jale el cable rojo con el conector de bandera hembra del terminal "B". Colóquelo a la derecha en el poste de paleta del terminal L2.



- Vuelva a instalar la cubierta posterior del motor.



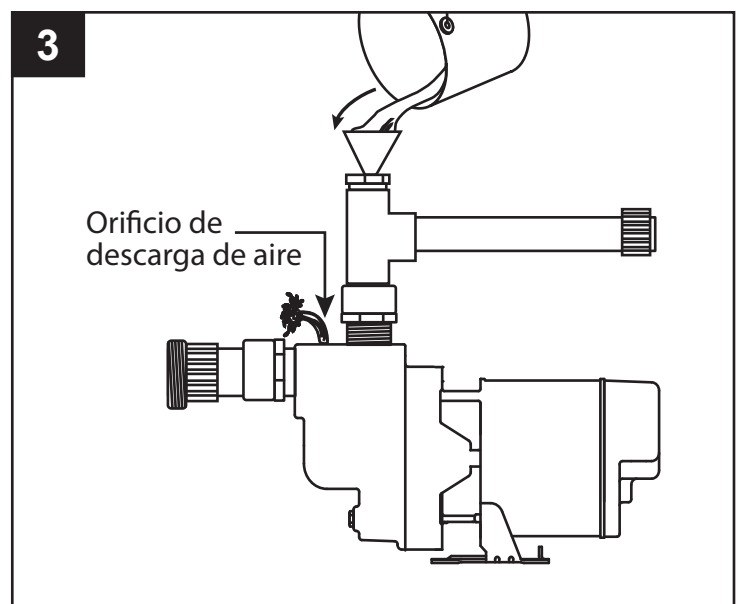
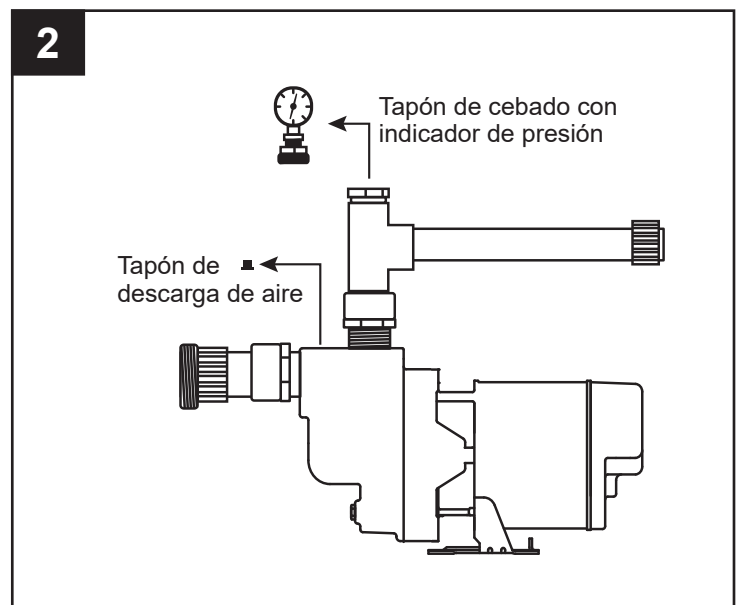
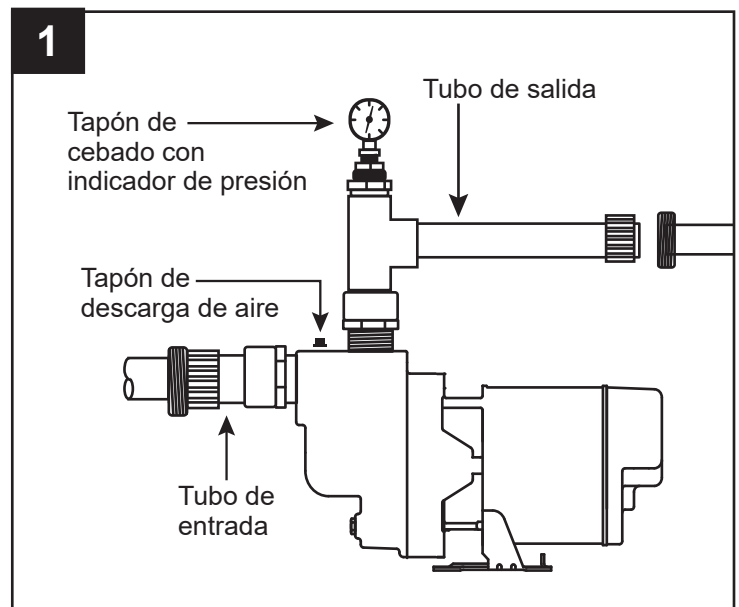
CEBADO Y ARRANQUE DE LA BOMBA

⚠ PRECAUCIÓN: Todas las bombas deben cebarse llenando la cavidad de la bomba con agua antes de hacerlas funcionar por primera vez. Esto puede requerir de muchos litros de agua, porque se llenará la línea entera de entrada y la cavidad de la bomba. Mientras más larga sea la línea de entrada, más agua necesitará para cebar.

1. Desconecte la unión de salida de 1-1/2 pulg y separe el tubo.

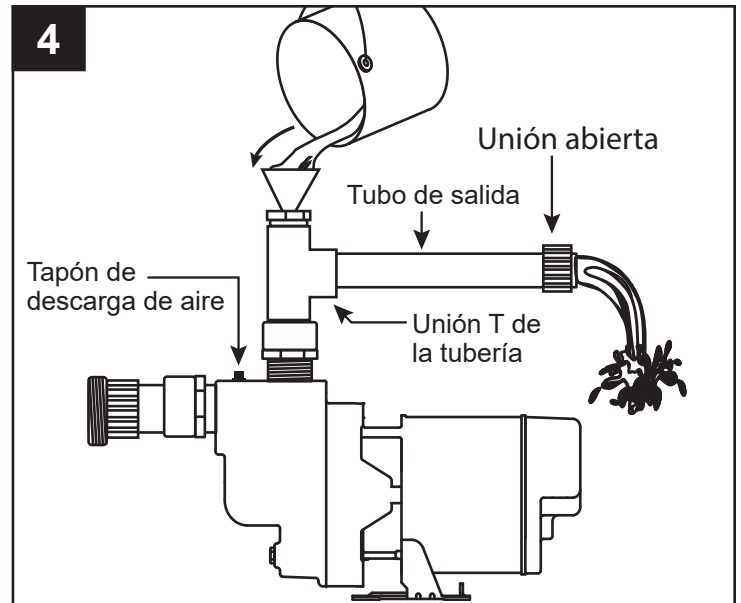
2. Retire el tapón de descarga de aire en la parte superior de la bomba y el tapón de cebado de 1-1/4 pulg con indicador de presión. Consulte el Paso 5: Preparación de la bomba.

3. Llène lentamente la cavidad de la bomba hasta que el agua salga por el orificio de descarga de aire en la parte superior de la bomba.

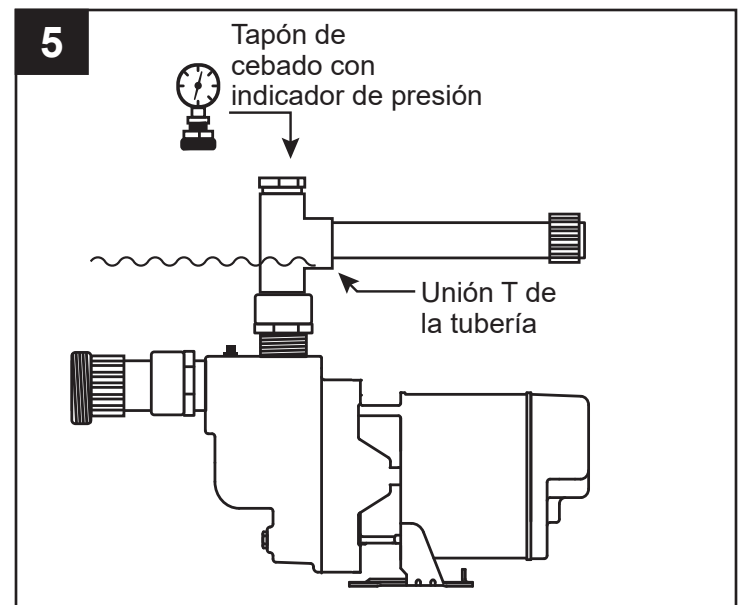


CEBADO Y ARRANQUE DE LA BOMBA

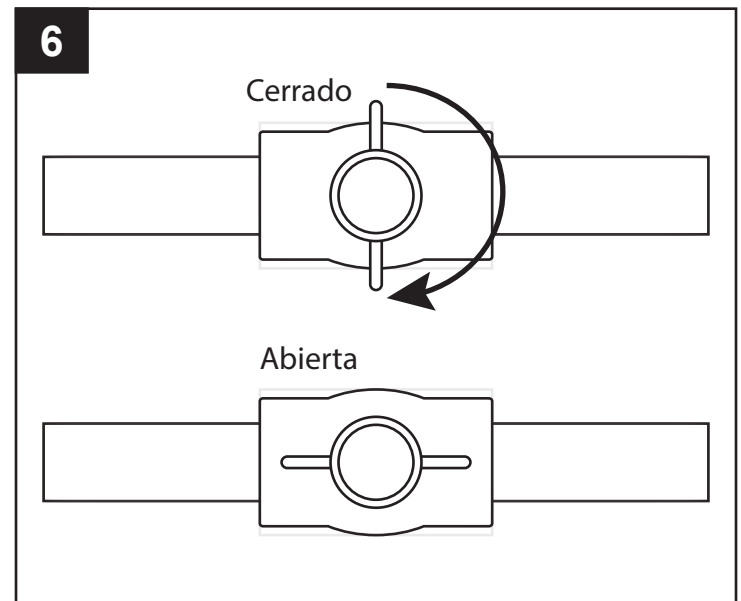
4. Vuelva a colocar el tapón de descarga de aire y siga agregando agua en la cavidad de la bomba hasta que el agua salga por el tubo de salida abierto en la unión abierta.



5. Espere 10 minutos para ver si el nivel de agua cae por debajo de la unión T de la tubería. Si el nivel cae, revise la válvula de pie. Si el nivel permanece constante, vuelva a instalar el tapón de cebado.



6. Vuelva a conectar la unión de 1-1/2 pulg en la tubería de salida. Abra la válvula de bola (gire la manija para alinearla con el tubo) y luego encienda el interruptor para iniciar la bomba.



CEBADO Y ARRANQUE DE LA BOMBA

⚠ IMPORTANTE: Si la bomba no se ceba en los siguientes cinco minutos:

- Interrumpa el suministro eléctrico en la caja del interruptor. Compruebe todas las conexiones de la tubería para asegurarse de que no haya fugas, asegúrese de que todas las conexiones sean herméticas y eviten el paso del agua. Verifique la tubería de entrada y asegúrese de que no esté floja, también verifique que la tubería de entrada se encuentre en línea recta hacia la bomba. Supervise que no haya fugas o que el agua de descarga no tenga un color lechoso, lo que indica que hay una fuga de aire. De ser necesario, vuelva a cebar, siga los pasos 1 al 6 anteriores. Reinicie el interruptor en la caja de interruptores.

⚠ IMPORTANTE: Si la bomba silba en vez de bombear o se apaga repetidamente, ciérrela de inmediato. Revise el voltaje. La bomba está preparada para funcionar con 230 voltios. Si el funcionamiento de la bomba se corta o detiene, es posible que esté tratando de conectarla a 115 voltios. Consulte las INSTRUCCIONES DEL SISTEMA ELÉCTRICO DE LA BOMBA de la página 17 para saber cómo cambiar el voltaje de manera correcta a 115 voltios.

ESPECIFICACIONES

TABLA DE DATOS DEL MOTOR					
HP	Fase	Voltios	Letra código	Amperaje máximo	Amperaje del rotor bloqueado
1	1	115	H	17.6	62.0
	1	230		8.8	31.0
1-1/2	1	115	G	23.6	72.0
	1	230		11.8	36.0
2	1	115	G	23.6	108.0
	1	230		11.8	54.0

DESEMPEÑO

Número de artículo	HP	Elevación de succión (pies)	Capacidad: Galones americanos por presión de descarga por minute (PSI)						Tubo de entrada	Tubo de salida
			15	20	25	30	35	40		
HSP10P1	1	10	3420	3120	2700	2100	1200	0	2"	1-1/2"
		15	2820	2640	2220	1800	600	0		
		20	2640	2520	2160	1500	480	0		
		25	1440	1380	1320	1020	300	0		
HSP15P1	1-1/2	10	4092	3894	3564	3168	2508	1716	2"	1-1/2"
		15	3780	3660	3420	2970	2310	1188		
		20	3366	3300	2838	2640	1848	600		
		25	2520	2490	2430	2280	1452	0		
HSP20P1	2	10	4309	4172	4036	3625	3078	2462	2"	1-1/2"
		15	3894	3780	3600	3300	2772	2112		
		20	3557	3488	3420	3215	2531	1573		
		25	2640	2599	2531	2430	2220	720		

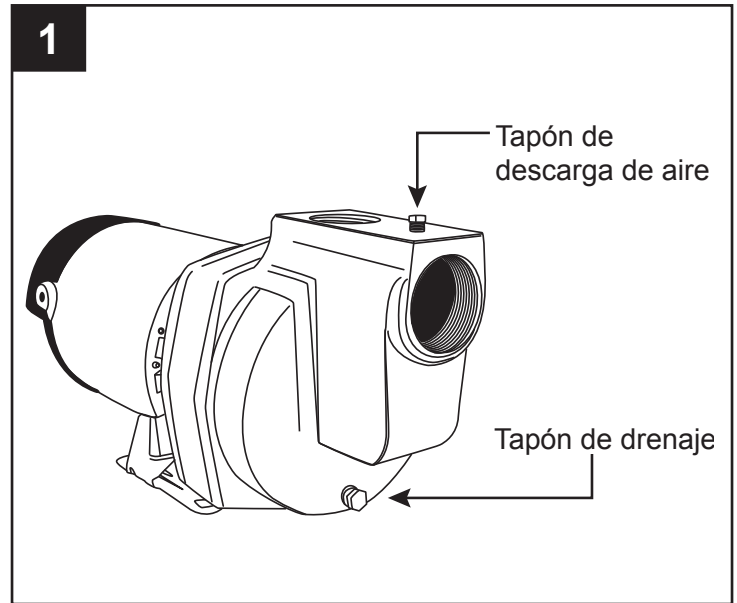
LOCALIZACIÓN Y SOLUCIÓN DE PROBLEMAS

Problema	Causa posible	Acción correctiva
A. Mínima o nula descarga	<ol style="list-style-type: none"> 1. El entubado no está inicialmente relleno con agua 2. La elevación de succión está demasiado alta o demasiado larga 3. Hay un orificio o una fuga de aire en el tubo de succión 4. La válvula de pie es demasiado pequeña 5. La válvula de pie o tubo de entrada no están bien sumergidos en el agua 6. El motor está incorrectamente cableado. 7. Las válvulas de entrada o descarga están cerradas 	<ol style="list-style-type: none"> 1. Llene el entubado de la bomba 2. Acerque la bomba al suministro de agua 3. Repare o reemplace el tubo de entrada. Use la cinta para roscas y el compuesto para uniones de tuberías 4. Ajuste la válvula de pie a la tubería o instale una más grande. 5. Sumerja la válvula de pie lo más profundo en el agua 6. Verifique el diagrama del cableado 7. Abra las válvulas
B. La bomba no proporciona agua ni genera presión	<ol style="list-style-type: none"> 1. No hay agua del cebado en el entubado 2. Hay una fuga en el tubo de entrada 3. El tubo de salida está cerrado, y el aire del cebado no tiene dónde ir 4. El tubo de entrada (o válvula) está cerrado 5. La válvula de pie tiene una fuga 6. La malla de entrada está tapada 	<ol style="list-style-type: none"> 1. Llene el entubado de la bomba 2. Repárelo o reemplácelo 3. Abra la válvula de bola 4. Abra el suministro o la válvula 5. Reemplace la válvula de pie 6. Limpie o reemplace la malla de entrada
C. Pérdida de succión	<ol style="list-style-type: none"> 1. Hay una fuga de aire en el tubo de entrada 2. La elevación de succión es demasiado alta 3. La presión de entrada o la altura de succión es insuficiente 4. La válvula de pie o colador están tapados 	<ol style="list-style-type: none"> 1. Repare o reemplace el tubo de entrada. Use la cinta para roscas y el compuesto para uniones de tuberías 2. Baje la elevación de succión, instale una válvula de pie y cebe 3. Aumente la presión de entrada agregando más agua en el tanque o aumentando la contrapresión 4. Inspeccione la válvula de pie y/o el tensor para buscar desechos y retire.
D. La bomba vibra y/o hace demasiado ruido	<ol style="list-style-type: none"> 1. La placa de montaje o base no están lo suficientemente rígidas 2. Hay material extraño en la bomba 3. El impulsor está dañado 	<ol style="list-style-type: none"> 1. Refuerce la placa o los cimientos 2. Desensamble la bomba y límpiela 3. Reemplace el impulsor
E. La bomba no enciende ni funciona	<ol style="list-style-type: none"> 1. El motor está incorrectamente cableado. 2. El fusible está fundido, o el interruptor de circuito está abierto 3. El cableado está flojo o roto 4. Hay piedras u objetos extraños en el impulsor 5. El motor se sobrecalentó 	<ol style="list-style-type: none"> 1. Verifique el diagrama del cableado 2. Reemplace el fusible o cierre el interruptor del circuito 3. Apriete las conexiones, reemplace los cables rotos 4. Desensamble la bomba y retire el objeto extraño 5. Deje que la unidad se enfríe y reinicie luego
F. La bomba pierde el cebado	<ol style="list-style-type: none"> 1. La válvula de pie o colador están tapados 2. Válvula de pie rota o desgastada. 3. Hay un orificio o una fuga de aire en el tubo de entrada 	<ol style="list-style-type: none"> 1. Inspeccione la válvula de pie y/o el tensor para buscar desechos y retire. 2. Inspeccione y reemplace. 3. Repare o reemplace el tubo de entrada. Use la cinta para roscas y el compuesto para uniones de tuberías

CUIDADO Y MANTENIMIENTO

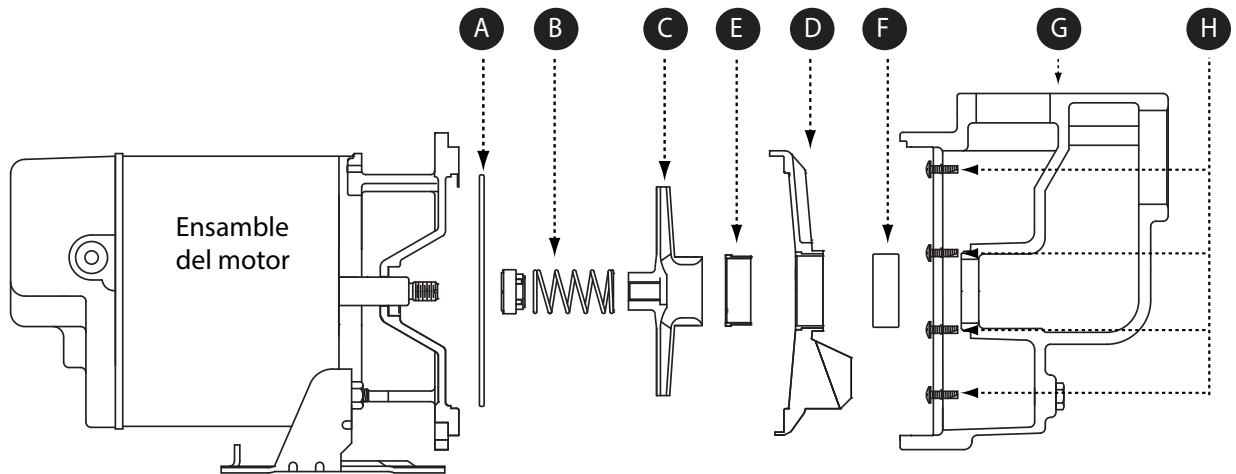
Preparación para el invierno

⚠ PRECAUCIÓN: Drene todo el sistema si existe peligro de congelamiento. En el fondo de la bomba, encontrará un tapón de drenaje para este propósito. Retire el tapón de drenaje y afloje el tapón de descarga de aire.



LISTA DE PIEZAS DE REPUESTO

Para obtener piezas de repuesto, llame a 1-800-742-5044



ITEM	SINGLE PHASE	HP	1	1-1/2	2
		MODEL NO.	HSP10P1	HSP15P1	HSP20P1
DESCRIPTION		PART NO.			
A	Anillo, corte cuadrado	132429	1	1	1
B	Sello, rotativo y de cerámica (Incluye resorte)	131100	1	1	1
C	Impulsor	023211	021280	134138	134138
D	Difusor	132425	1	1	1
E	Accesorio del difusor	134240	1	1	1
F	Difusor de goma	132428	1	1	1
G	Cuerpo de la bomba	023115	1	1	1
H*	Hex Hd. Cap Screws 3/8 in. x 3/4 in.	*	4	4	4

NOW AVAILABLE

Peace of Mind for your Pump

Exclusively from
Star Water Systems



THIS PLAN COVERS:

- LIGHTNING
- DEFECTS IN MATERIAL
- ABRASION
- CORROSION
- DEFECTS IN WORKMANSHIP

With the purchase of this plan, your Star jet pump, submersible pump, or HSP centrifugal pump will be replaced or repaired at no charge to you if the pump fails within five years from date of original purchase, if failure occurs

due to damage from lightning, abrasion, corrosion, or due to defects in material or workmanship. Not valid for cash refunds. This plan will be sold only on original purchase. Not valid for any warranty replacements.

With the purchase of this plan, Star Water Systems agrees to replace with comparable product or repair at no charge the pump identified on the validated agreement, if failure occurs within 5 years from the date of the original pump purchase. If a replacement pump is required it will be protected for the remaining portion of the original 5 year period. The plan is not transferable and applies only to the original purchaser.

The plan covers the pump and/or motor. It protects against failures caused by lightning, corrosion, abrasion and defects in material and workmanship. It does not cover submersible control box, submersible drop cable, power cable, pressure tanks, pressure switches, gauges or any other system accessory. Failures caused by low voltage, dry wells, plugged well points and/or screens, floods, droughts or freeze conditions are not covered by this plan. The plan does not apply to product abuse or applications for purposes other than those for which the product is designed or manufactured. Nor does the plan provide allowance for consequential damages, labor expenses or contingent liabilities incurred as a result of pump failure.

This plan covers the pump and/or motor. It is not intended to replace such actual insurance coverage that is otherwise applicable.

- Plan cost: \$95.00 (US).
- Models available for Protection Plan: Any Star jet pump or deep well submersible pump (1/3 thru 1-1/2 HP) and any "HSP" centrifugal pump (3/4 thru 2 HP)
- Eligible purchasers: The original retail consumer of the pump
- For replacement or repair only -- not valid for cash refund.
- This 5 Year Limited Pump Protection Plan is available only in the United States and Canada.
- See installation instructions for the Star Water Systems standard one year limited warranty.

STAR[®]
WATER SYSTEMS

www.starwatersystems.com

135928 G

**5 YEAR PUMP PROTECTION PLAN
AGREEMENT FORM**

Must be submitted along with sales receipt within 30 days of pump purchase date.

This agreement is valid once accepted by Star Water Systems, and returned to the consumer.

For replacement or repair only. Not valid on cash refund.

INSTRUCTIONS:

To apply for 5 Year Pump Protection, complete the following steps:

1. Read program details carefully
2. Mail completed agreement along with pump sales receipt and check or money order for \$95.00 (US) to:

**Star Water Systems
95 North Oak Street
Kendallville, IN 46755
Attention: Warranty Information Center**

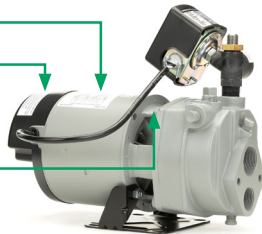
Do Not Send Cash

3. After your information is validated by Star Water Systems, your confirmed agreement will be returned to you. Please allow two to four weeks for return.
4. Retain the validated agreement as evidence of the protection purchased. This form must be presented in order to ensure pump warranty.

NOTE: Serial Numbers (Required for the application) can be found as shown below:

JET PUMPS / HSPJ CENTRIFUGAL PUMPS:

- Motor Serial Number*
- Pump Model Number
(Example: JHU05)
- Pump Serial Number*



DEEP WELL SUBMERSIBLES:



- Pump Model Number
(Example: 4H10A05-305)
- Pump Serial Number*
- Motor Serial Number*

*Serial Numbers are printed on 3/4" x 1-1/2" silver labels and can also be found on the pump shipping carton



**ALL BLANKS MUST BE COMPLETED.
PLEASE PRINT OR TYPE. USE INK IF PRINTED.**

Consumer's Name _____

Street _____

City _____ State _____ Zip _____

Phone Number _____

Signature _____

Retailer Name _____

Street _____

City _____ State _____ Zip _____

Phone Number _____

Date _____

Pump Model Number: _____

Pump Serial Number: _____

Motor Serial Number: _____

Date of Purchase: _____

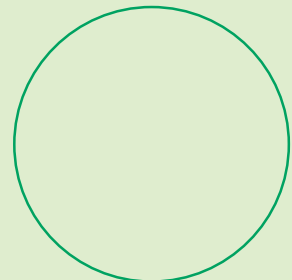
FOR OFFICE USE ONLY

Effective Date of Agreement _____

Plan Expiration Date _____

Validation Number _____

Approval _____



VALIDATION STAMP

