

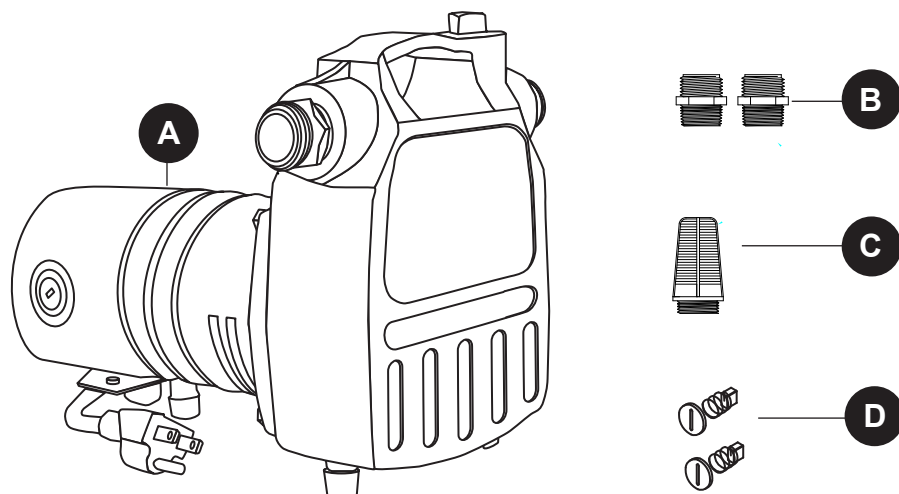
**ATTACH YOUR RECEIPT HERE**

Serial Number \_\_\_\_\_ Purchase Date \_\_\_\_\_



Questions, problems, missing parts? Before returning to your retailer, call our customer service department at 1-800-742-5044, 7:30 a.m. - 5:00 p.m., EST, Monday - Friday.

## PACKAGE CONTENTS



PART	DESCRIPTION	QUANTITY
A	Pump	1
B	Garden Hose Adapters	2
C	Hose Strainer	1
D	Motor Brushes	2

## SAFETY INFORMATION

Please read and understand this entire manual before attempting to assemble, operate or install the product.

- **NOTE:** Pumps with the “UL” Mark and pumps with the “US” mark are tested to UL Standard UL778. CSA certified pumps are certified to CSA Standard C22.2 No. 108. (CUS.)

## DANGER

- **ELECTRICAL SHOCK HAZARD.**  
This pump is non-submersible. Keep the motor dry at all times. Do not wash the motor. Do not submerge the pump in water. Protect the motor from wet weather. Do not allow any part of cord or receptacle ends to sit in water or in damp locations. Failure to follow these warnings will result in death or serious injury and/or property damage.
- **FIRE/EXPLOSION HAZARD.**  
Pump only clear water. Do not pump flammable or explosive fluids such as gasoline, fuel oil, kerosene, etc. Do not use in a flammable and/or explosive atmosphere. Failure to follow these warnings could result in death or serious injury and/or property damage.
- **RISK OF ELECTRIC SHOCK.**  
These pumps have not been investigated for use in swimming pool areas.
- **RISK OF ELECTRIC SHOCK.**  
Always disconnect power source before attempting to install, service, or maintain the pump. Never handle a pump with wet hands or when standing on wet or damp surface or in water. Fatal electrical shock could occur.

 **WARNING**

- **ELECTRICAL SHOCK ALERT.**

Before installing this product, have the electrical circuit checked by an electrician to ensure proper grounding. All electrical installations must conform to the National Electric Code and all local codes.

- **ELECTRICAL SHOCK ALERT.**

Connect this product to a properly-grounded 115 volt circuit equipped with a Ground Fault Circuit Interrupter (GFCI) device.

- **ELECTRICAL SHOCK ALERT.**

Do not handle pump or pump motor with wet hands or when standing on a wet or damp surface or in water.

- **ELECTRICAL SHOCK ALERT.**

These pumps are supplied with a 3-prong grounded plug to help protect you against the possibility of electrical shock. **DO NOT UNDER ANY CIRCUMSTANCES REMOVE THE GROUND PIN.**

- **ELECTRICAL SHOCK ALERT.**

This pump is not intended to be permanently installed outdoors. Protect pump from extreme heat, cold, and humidity. This pump is not waterproof and is not intended to be used in showers, saunas, or other potentially wet locations. The motor is designed to be used in a clean, dry location with access to an adequate supply of cooling air. Ambient temperature around the motor should not exceed 104°F (40°C).

- **ELECTRICAL SHOCK ALERT.**

**BE CERTAIN** the pump power source is disconnected before installing or servicing pump.

- **ELECTRICAL SHOCK ALERT.**

Protect electrical cord from sharp objects, hot surfaces, oil, and chemicals. Avoid kinking the cord. Replace pump if cord is damaged.

- **PROP65 WARNING FOR CALIFORNIA RESIDENTS:**

Cancer and Reproductive Harm – [www.P65Warnings.ca.gov](http://www.P65Warnings.ca.gov).

- **PERSONAL INJURY/PRODUCT DAMAGE ALERT.**

Provide a means of pressure relief if the pump discharge can be shut off or obstructed. Pumps operating with a closed discharge can create hot liquid, which can cause burns.

- **PERSONAL INJURY ALERT.**

This pump is equipped with an automatic thermal overload and can restart without warning.

- **PERSONAL INJURY ALERT.**

Do not touch the motor when operating and allow the motor to cool before touching it after operation. Motor is designed to operate at high temperatures.

## **CAUTION**

- **PERSONAL INJURY OR PRODUCT DAMAGE MAY RESULT.**

This pump operates on 115 volts. Make certain that the power source conforms to the requirements of your equipment.

- **PRODUCT DAMAGE MAY RESULT.**

The maximum temperature of the pumped liquid must not exceed 120°F (40°C). The minimum allowable temperature is 40°F (4°C).

- **PRODUCT DAMAGE MAY RESULT.**

Be sure the water source and piping are clear of sand, dirt, and scale. Debris will clog the pump and void the warranty. Use a screen or strainer on the inlet to prevent debris from entering the pump.

- **PRODUCT DAMAGE MAY RESULT.**

Failure to protect the pump and piping from freezing will cause damage and void the warranty.

- **PRODUCT DAMAGE MAY RESULT.**

Do not run pump dry. Impeller and seal damage will result.

- **PROPERTY DAMAGE MAY RESULT.**

Drain all liquids from the system before servicing or storing.

- **PERSONAL INJURY AND/OR PROPERTY DAMAGE MAY RESULT.**

Make sure the discharge hose is secure before starting the pump. A loose discharge hose can whip around and cause personal injury or property damage.

- **PROPERTY DAMAGE MAY RESULT.**

Do not operate this product while unattended.

- **PROPERTY DAMAGE MAY RESULT.**

Check hoses for worn areas before use and make certain that all connections are tight.

- **PRODUCT DAMAGE MAY RESULT.**

This pump is designed to pump water only. It has not been evaluated for pumping chemicals.

- **PRODUCT DAMAGE MAY RESULT.**

Inspect the pump regularly for damage and perform routine maintenance as needed.

## **PREPARATION**

---

Before beginning installation of product, make sure all parts are present. Compare parts with package contents list. If any part is missing or damaged, do not attempt to assemble the product.

**Estimated Installation Time:** 10 minutes

Tools may be required for assembly: Crescent wrench, PVC-safe pipe sealant or thread sealant tape.

## **GENERAL PUMP INFORMATION**

---

This portable utility pump is designed to empty water heaters, swimming pools, livestock tanks, boats, and transfer water from one location to another.

## LOCATION

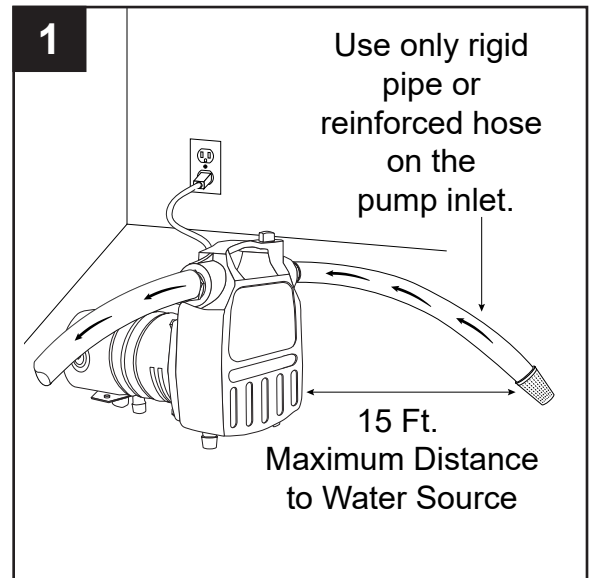
1. Pump should be located within 15 ft. of the water source, and strainer should be used at the end of the inlet line.

**NOTE:** Make sure the inlet hose is NOT coiled or kinked above or below water level.

The inlet line may be galvanized pipe, plastic pipe, or reinforced hose. Be sure there are no leaks in the inlet line, as this may reduce pump efficiency or prevent priming. Inlet line should be the same diameter as the discharge line, or larger.

**DO NOT** use regular garden hose on the inlet line as it will collapse during pumping.

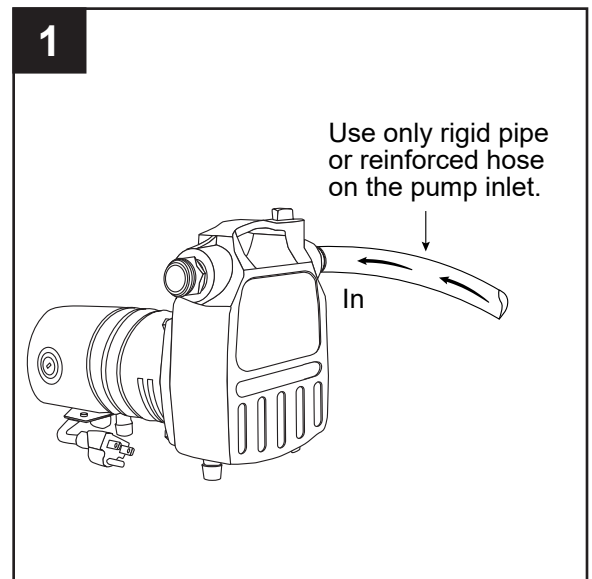
Standard 3/4 in. garden hose may be used as a discharge line. Keep the total length as short as possible for best performance.



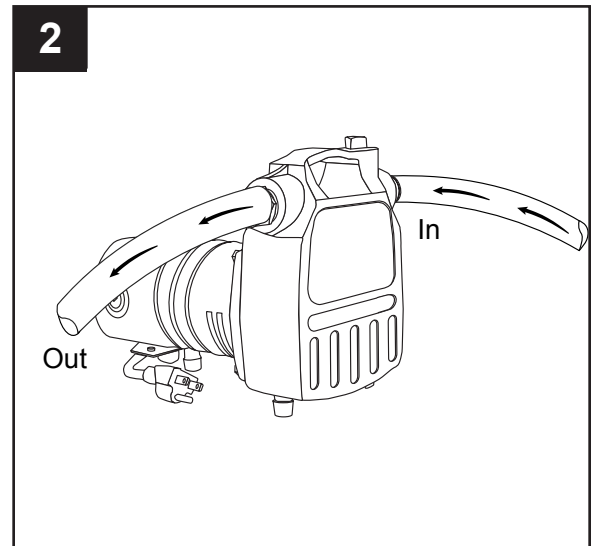
## INSTALLATION INSTRUCTIONS

1. Attach hose adapters and suction hose (not provided) to pump. Make sure inlet connection is air tight.

**CAUTION:** Use only rigid pipe or reinforced hose on the pump inlet. Regular garden hose will collapse when the pump runs.



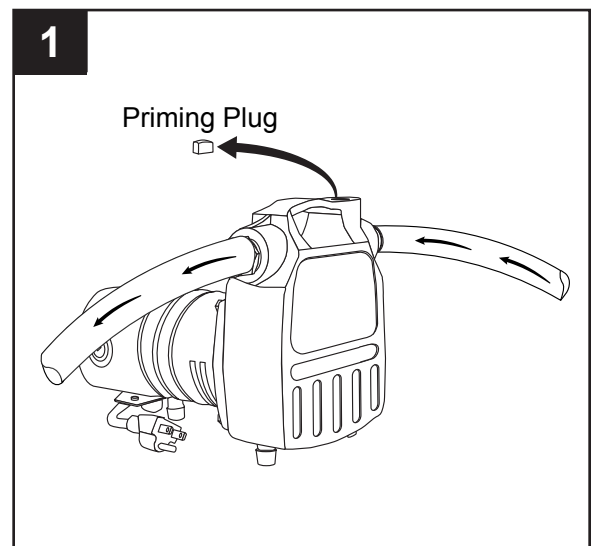
2. Attach discharge hose (not provided) to pump outlet. A standard 3/4 in. garden hose may be used as a discharge line.  
**CAUTION:** Keep the total length as short as possible for best performance.



## **PRIMING AND STARTUP**

### **PUMP MUST BE PRIMED BEFORE USING!**

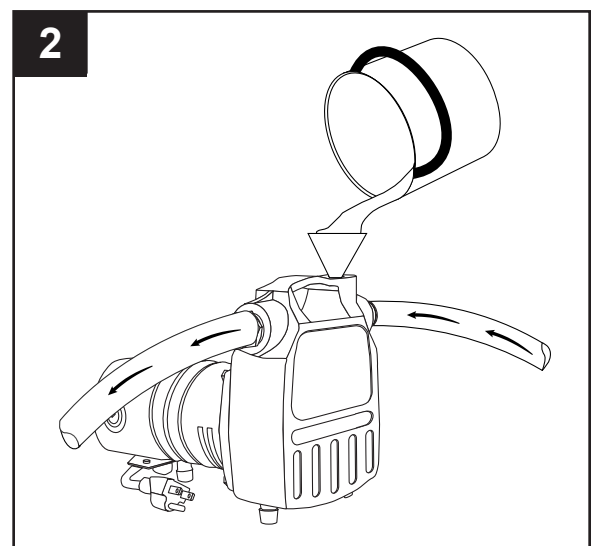
1. Remove priming plug from the top of pump.



2. Fill pump housing with clean water. Reinstall plug.

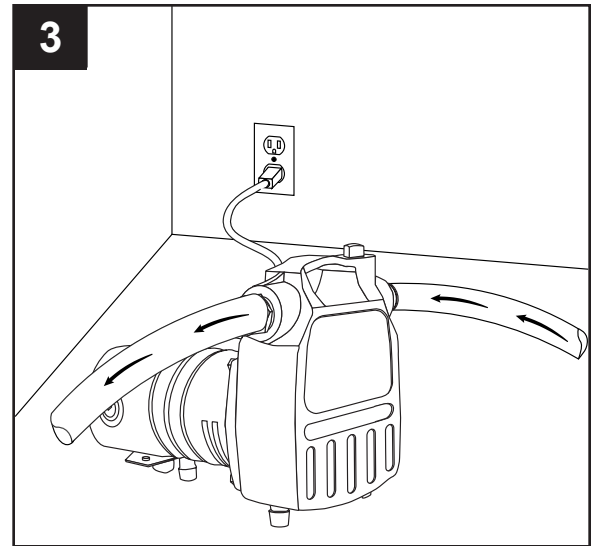
**DO NOT RUN DRY.**

**NOTE:** Do not pump sand or other abrasives as this will damage the shaft seal or impeller and void the warranty.



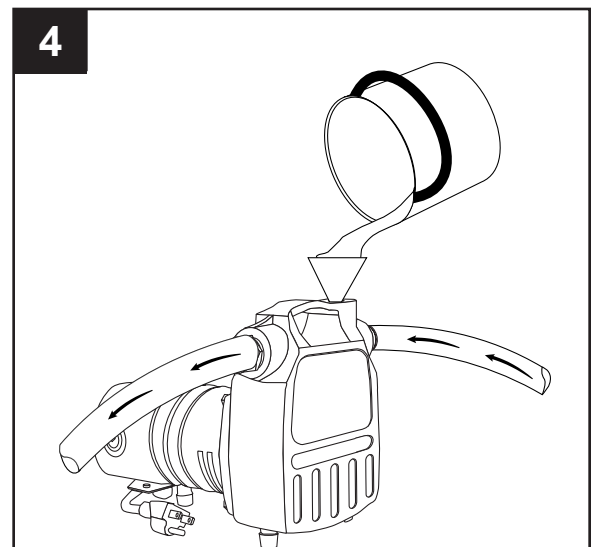
3. For normal water transfer applications, plug in power cord to grounded outlet. Pump will prime in a few minutes, depending on suction line length.

Unplug pump to turn it off.



4. If the pump does not pump water after five minutes, turn off the pump and repeat steps 1 through 3.

**DO NOT RUN DRY.**



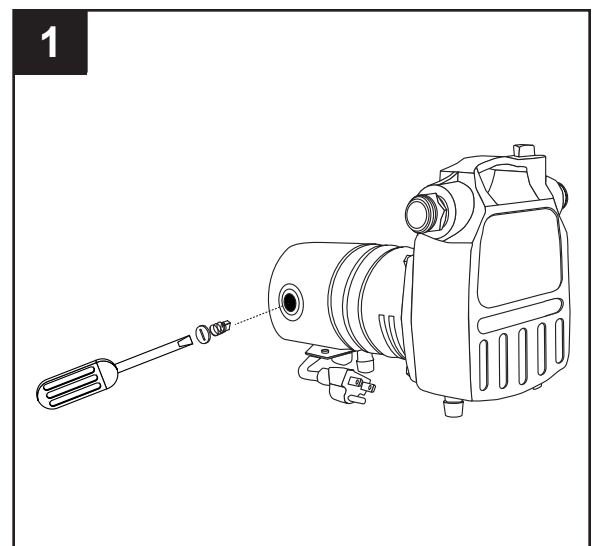
## **CARE AND MAINTENANCE**

Brushes for pump should be inspected after every 100 hours of operation. Pumps with excess of 100 hours of operation may stop operating or fail to start. This could be due to worn brushes or carbon build-up. Brushes should be removed and carbon removed. Worn brushes are not covered under warranty. See REPLACEMENT PARTS LIST for more information.

### **How to Replace Brushes**

NOTE: Motor brushes (1 set included) are normal wear items and must be replaced after every 100 hours of operation.

- Be sure pump is disconnected from power source.
- Using a flathead screwdriver (not included), unscrew brush cap located along the side of the motor. Remove brush assembly by pulling it straight out of the brush holder. Repeat on opposite side.
- Install new brush assemblies (1 set included).
- Replace cap.



## TROUBLESHOOTING

PROBLEM	POSSIBLE CAUSE	CORRECTIVE ACTION
Pump will not begin pumping or retain prime after operating, or stops pumping water.	1. Air leak in suction line.	1. Repair or replace suction line. Make sure fittings are air tight and use thread sealant tape if necessary.
	2. Fittings are not tight.	2. Tighten fittings air tight, using thread sealant tape if necessary.
	3. Hose is kinked or looped.	3. Inspect hose and straighten if needed.
	4. Inlet hose is out of the water.	4. Submerge inlet hose end.
	5. Clogged inlet.	5. Clean inlet.
	6. Inlet lift too high.	6. Lower pump.
	7. Impeller blocked.	7. Remove blockage.
	8. Worn seal.	8. Replace seal.
	9. Collapsed inlet hose.	9. Replace with reinforced hose.
Pump will not start or run.	1. Blown fuse or circuit breaker.	1. If blown, replace with proper sized fuse or reset breaker.
	2. Low line voltage.	2. If voltage is under 108 volts, check wiring size.
	3. Worn brushes.	3. Replace brushes.
	4. Impeller blocked.	4. Remove blockage.
	5. Defective motor.	5. Replace pump.
Flow rate is too low.	1. Piping or hose is kinked or damaged.	1. Clean or replace piping or hose.
	2. Low line voltage.	2. If voltage is under 108 volts, check wiring size.
	3. Too much discharge hose friction.	3. Shorten and/or increase the diameter of the discharge hose.
Seal leaks	1. Worn seal.	1. Replace seal.
	2. Pump head is loose on motor.	2. Ensure proper assembly and check for obstructions. Tighten bolts.



## WARRANTY

This product is warranted for one year from the date of purchase. Subject to the conditions hereinafter set forth, the manufacturer will repair or replace to the original consumer, any portion of the product which proves defective due to defective materials or workmanship. This warranty does not cover replacement parts for failure due to normal wear and tear. To obtain warranty service, contact the dealer from whom the product was purchased. The manufacturer retains the sole right and option to determine whether to repair or replace defective equipment, parts or components. Damage due to conditions beyond the control of the manufacturer is not covered by this warranty.

THIS WARRANTY WILL NOT APPLY: (a) To defects or malfunctions resulting from failure to properly install, operate or maintain the unit in accordance with printed instructions provided; (b) to failures resulting from abuse, accident or negligence or use of inappropriate chemicals or additives in the water; (c) to normal maintenance services and the parts used in connection with such service; (d) to units which are not installed in accordance with normal applicable local codes, ordinances and good trade practices; and (e) if the unit is used for purposes other than for what it was designed and manufactured.

### RETURN OF WARRANTED COMPONENTS:

Any item to be repaired or replaced under this warranty must be returned to the manufacturer at Kendallville, Indiana or such other place as the manufacturer may designate, freight prepaid.

THE WARRANTY PROVIDED HEREIN IS IN LIEU OF ALL OTHER EXPRESS WARRANTIES, AND MAY NOT BE EXTENDED OR MODIFIED BY ANYONE. ANY IMPLIED WARRANTIES SHALL BE LIMITED TO THE PERIOD OF THE LIMITED WARRANTY AND THEREAFTER ALL SUCH IMPLIED WARRANTIES ARE DISCLAIMED AND EXCLUDED. THE MANUFACTURER SHALL NOT, UNDER ANY CIRCUMSTANCES, BE LIABLE FOR INCIDENTAL, CONSEQUENTIAL OR SPECIAL DAMAGES, SUCH AS, BUT NOT LIMITED TO DAMAGE TO, OR LOSS OF, OTHER PROPERTY OR EQUIPMENT, LOSS OF PROFITS, INCONVENIENCE, OR OTHER INCIDENTAL OR CONSEQUENTIAL DAMAGES OF ANY TYPE OR NATURE. THE LIABILITY OF THE MANUFACTURER SHALL NOT EXCEED THE PRICE OF THE PRODUCT UPON WHICH SUCH LIABILITY IS BASED.

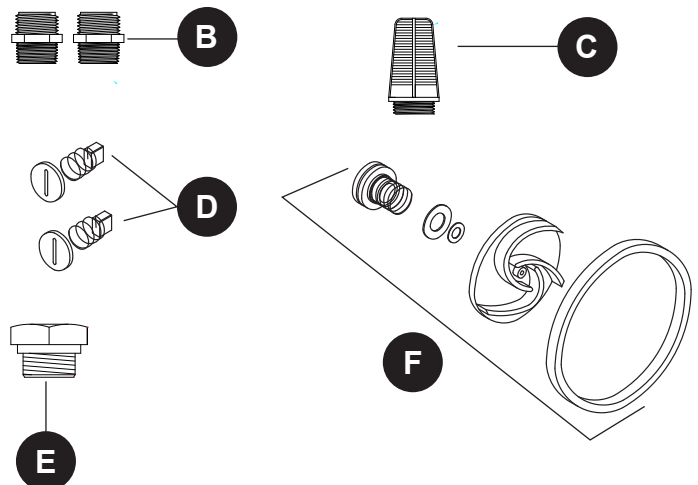
This warranty gives you specific legal rights, and you may have other rights which vary from state to state. Some states do not allow limitations on duration of implied warranties or exclusion of incidental or consequential damages, so the above limitations may not apply to you.

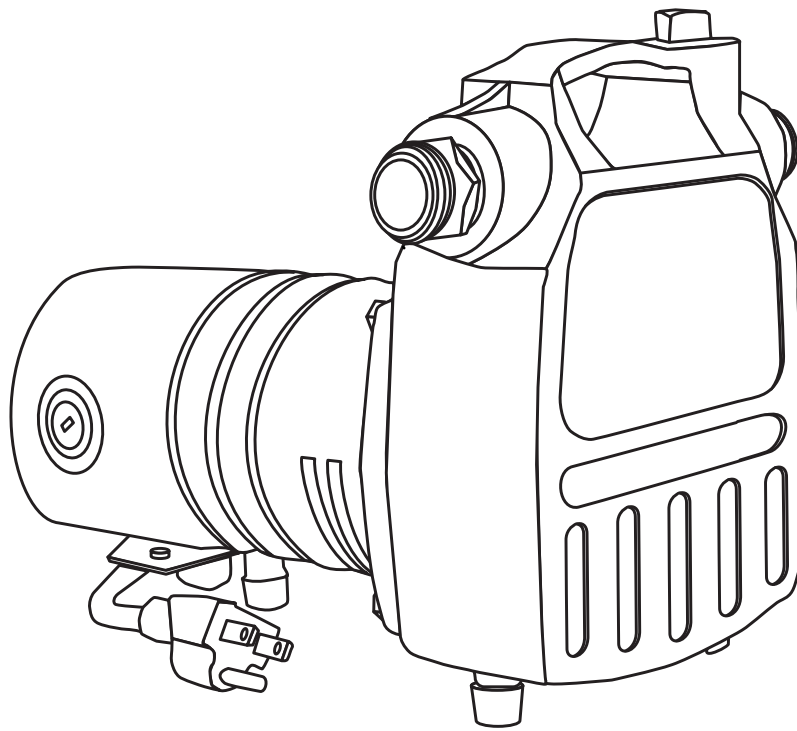
**In those instances where damages are incurred as a result of an alleged pump failure, the Homeowner must retain possession of the pump for investigation purposes.**

## REPLACEMENT PARTS LIST

There are no warranty replacement parts available for this product. For non-warranty replacement parts listed below, call our customer service department at 1-800-742-5044, 7:30 a.m. - 5:00 p.m., EST, Monday - Friday.

PART	DESCRIPTION	PART #
B	Garden hose adapters	025059
C	Hose strainer	025058
D	Motor Brushes	015846
E	Priming nut	025060
F	Impeller, shaft seal and volute kit	024512





**ADJUNTE SU RECIBO AQUÍ**

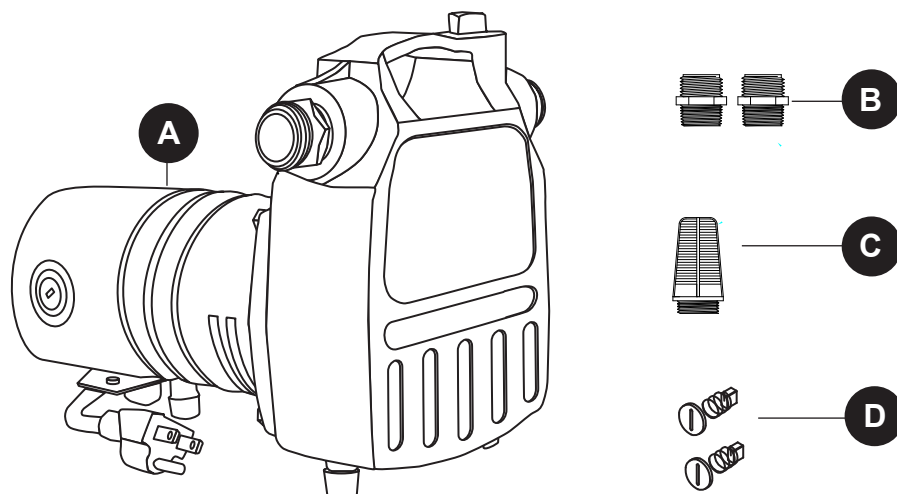
Número de serie \_\_\_\_\_ Fecha de compra \_\_\_\_\_

---



¿Preguntas, problemas, piezas faltantes? Antes de volver a la tienda, llame a nuestro Departamento de Servicio al Cliente al 1-800-742-5044, de lunes a viernes de 7:30 a.m. a 5:00 p.m., hora estándar del Este.

## CONTENIDO DEL PAQUETE



PIEZA	DESCRIPCIÓN	CANTIDAD
A	Bomba	1
B	Adaptadores de manguera para jardín	2
C	Tensor de manguera	1
D	Cepillos de motor	2

## ! INFORMACIÓN DE SEGURIDAD

Lea y comprenda completamente este manual antes de intentar ensamblar, usar o instalar el producto.

- **NOTA:** Las bombas con la marca “UL” y con la marca “US” se prueban para cumplir con los estándares UL778 de UL. Las bombas con certificación CSA cumplen con el estándar CSA C22.2 No. 108. (CUS.)

## ! PELIGRO

- **PELIGRO DE DESCARGA ELÉCTRICA.**  
Esta bomba no es sumergible. Mantenga el motor seco en todo momento. No lave el motor. No sumerja la bomba en agua. Proteja al motor del clima húmedo. No permita que ninguna parte del cable ni los extremos del tomacorriente se apoyen en el agua ni en lugares húmedos. No seguir estas instrucciones puede provocar la muerte, lesiones graves o daños a la propiedad.
- **PELIGRO DE INCENDIO O EXPLOSIÓN.**  
Bombee solo agua limpia. No bombee líquidos inflamables o explosivos, como gasolina, gasoil, queroseno, etc. No la utilice en una atmósfera inflamable o explosiva. No seguir estas instrucciones puede provocar la muerte, lesiones graves o daños a la propiedad.
- **RIESGO DE DESCARGA ELÉCTRICA.**  
No se ha verificado el uso de estas bombas en piscinas.
- **RIESGO DE DESCARGA ELÉCTRICA.**  
Desconecte siempre la fuente de alimentación antes de intentar instalar, reparar o realizarle mantenimiento a la bomba. Nunca manipule una bomba con las manos mojadas ni cuando esté parado sobre una superficie húmeda o en el agua. Podría ocurrir una descarga eléctrica fatal.



## **ADVERTENCIA**

- **ALERTA DE DESCARGA ELÉCTRICA.**

Antes de instalar este producto, haga que un electricista revise su circuito para asegurarse de que la puesta a tierra sea adecuada. Todas las instalaciones eléctricas deben cumplir con el Código Nacional de Electricidad (NEC, por sus siglas en inglés) y con todos los códigos locales.

- **ALERTA DE DESCARGA ELÉCTRICA.**

Conecte este producto a un circuito de 115 voltios con la debida puesta a tierra, equipado con un interruptor de circuito de falla de puesta a tierra (GFCI, por sus siglas en inglés).

- **ALERTA DE DESCARGA ELÉCTRICA.**

No manipule la bomba o el motor de la bomba con las manos húmedas ni cuando esté parado en una superficie húmeda o en el agua.

- **ALERTA DE DESCARGA ELÉCTRICA.**

Estas bombas se suministran con un enchufe de 3 clavijas con puesta a tierra para ayudar a protegerlo contra la posibilidad de descargas eléctricas. **NO RETIRE LA CLAVIJA DE PUESTA A TIERRA BAJO NINGUNA CIRCUNSTANCIA.**

- **ALERTA DE DESCARGA ELÉCTRICA.**

Esta bomba no está diseñada para instalarse permanentemente en exteriores. Proteja la bomba del calor, el frío y la humedad extremos. Esta bomba no es resistente al agua ni está diseñada para usarse en duchas, saunas u otros lugares húmedos. El motor está diseñado para usarse en un lugar limpio y seco, con acceso a un suministro adecuado de aire refrigerante. La temperatura ambiente alrededor del motor no debe exceder los 40 °C (104 °F).

- **ALERTA DE DESCARGA ELÉCTRICA.**

**ASEGÚRESE** de que la fuente de alimentación de la bomba esté desconectada antes de instalar o reparar la bomba.

- **ALERTA DE DESCARGA ELÉCTRICA.**

Proteja el cable eléctrico de objetos afilados, superficies calientes, aceite y otras sustancias químicas. Evite torcer el cable. Reemplace la bomba si el cable está dañado.

- **ADVERTENCIA DE PROPOSICIÓN 65 PARA RESIDENTES DE CALIFORNIA**

Cáncer y Daño Reproductivo – [www.P65Warnings.ca.gov](http://www.P65Warnings.ca.gov).

- **ALERTA DE LESIONES PERSONALES O DAÑOS EN EL PRODUCTO.**

Proporcione un medio de descarga de presión por si la descarga de la bomba se pudiera cerrar u obstruir. Las bombas que funcionan con una descarga cerrada pueden crear líquidos calientes, los que pueden causar quemaduras.

- **ALERTA DE LESIONES PERSONALES.**

Esta bomba está equipada con una sobrecarga térmica automática y se puede reiniciar sin advertencia.

- **ALERTA DE LESIONES PERSONALES.**

No toque el motor cuando esté en funcionamiento y permita que el motor se enfríe antes de tocarlo después del funcionamiento. El motor está diseñado para funcionar a temperaturas altas.

## **PRECAUCIÓN**

- **PODRÍAN PRODUCIRSE LESIONES PERSONALES O DAÑOS AL PRODUCTO.**  
Esta bomba funciona con 115 voltios. Asegúrese de que la fuente de alimentación cumpla con los requisitos de su equipo.
- **SE PODRÍAN PROVOCAR DAÑOS EN EL PRODUCTO.**  
La temperatura máxima del líquido bombeado no debe exceder los 40 °C (120 °F). La temperatura mínima permitida es 4 °C (40 °F).
- **SE PODRÍAN PROVOCAR DAÑOS EN EL PRODUCTO.**  
Asegúrese de que el suministro de agua y la tubería no tengan arena, suciedad ni sarro. La suciedad obstruirá la bomba, lo que anulará la garantía. Use una malla o un colador en la entrada para impedir que los desechos ingresen a la bomba.
- **SE PODRÍAN PROVOCAR DAÑOS EN EL PRODUCTO.**  
Si no protege la bomba y la tubería del congelamiento se provocarán daños y se anulará la garantía.
- **SE PODRÍAN PROVOCAR DAÑOS EN EL PRODUCTO.**  
No haga funcionar la bomba en seco. Se producirán daños en el impulsor y el sello.
- **SE PUEDE PROVOCAR DAÑO A LA PROPIEDAD.**  
Drene todo el líquido del sistema antes de realizar mantenimiento o almacenar.
- **PODRÍAN PRODUCIRSE LESIONES PERSONALES O DAÑOS A LA PROPIEDAD.**  
Asegúrese de que la manguera de descarga esté fija antes de arrancar la bomba. Una manguera de descarga suelta puede producir azotes y causar lesiones personales o daños en la propiedad.
- **SE PUEDE PROVOCAR DAÑO A LA PROPIEDAD.**  
No haga funcionar este producto sin supervisión.
- **SE PUEDE PROVOCAR DAÑO A LA PROPIEDAD.**  
Inspeccione las mangueras en búsqueda de áreas desgastadas antes de usarlas y asegúrese de que todas las conexiones estén bien apretadas.
- **SE PODRÍAN PROVOCAR DAÑOS EN EL PRODUCTO.**  
Esta bomba fue diseñada solo para bombear agua. No se ha probado su uso para bombear productos químicos.
- **SE PODRÍAN PROVOCAR DAÑOS EN EL PRODUCTO.**  
Revise que la bomba no presente daños de manera regular y realícele mantenimiento de rutina cuando sea necesario.

## **PREPARACIÓN**

---

Antes de comenzar a instalar el producto, asegúrese de tener todas las piezas. Compare las piezas con la lista del contenido del paquete. No intente ensamblar el producto si falta alguna pieza o si estas están dañadas.

### **Tiempo de instalación estimado: 10 minutos**

Herramientas que puede requerir para el ensamblaje: llave sueca, sellador para tubo seguro de PVC o cinta selladora para roscas.

## **INFORMACIÓN GENERAL ACERCA DE LA BOMBA**

---

Esta bomba portátil para uso general está diseñada para vaciar calentadores de agua, piscinas, tanques de acopio y embarcaciones marinas, y para transferir agua desde un lugar a otro.

## UBICACIÓN

1. La bomba se debe ubicar dentro de los 4,57 metros de la fuente de agua y el colador se debe usar al final de la tubería de entrada.

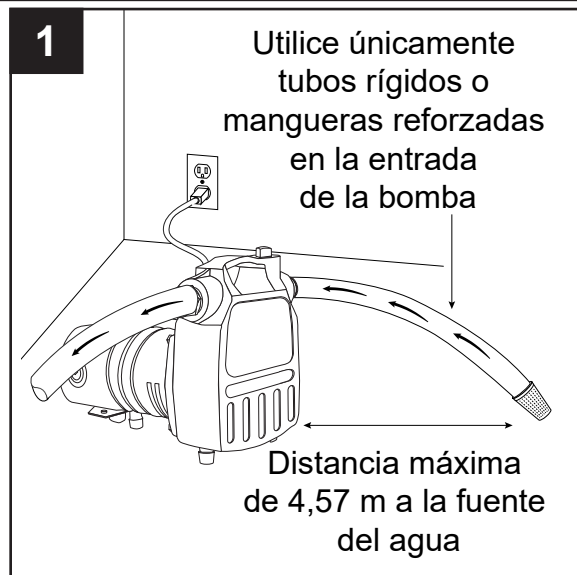
NOTA: asegúrese de que la manguera de entrada NO esté enroscada ni torcida por encima del nivel del agua ni por debajo de este.

La tubería de entrada puede ser un tubo galvanizado, un tubo plástico o una manguera reforzada.

Asegúrese de que no haya fugas en la tubería de entrada, ya que eso puede disminuir la eficacia de la bomba o evitar el cebado. La tubería de entrada debe ser del mismo diámetro que la tubería de descarga o más grande.

NO use una manguera para jardín común en la tubería de entrada, ya que colapsará durante el bombeo.

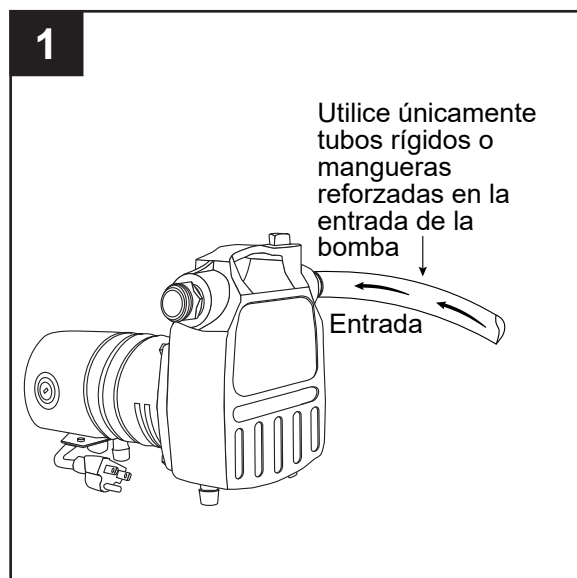
Se puede usar una manguera para jardín estándar de 1,90 cm como tubería de descarga. Mantenga el largo total lo más corto posible para obtener un mejor rendimiento.



## INSTRUCCIONES DE INSTALACIÓN

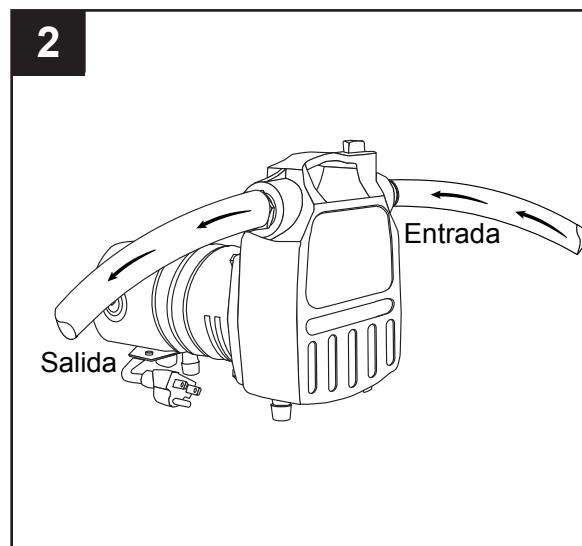
1. Fije los adaptadores de manguera y la manguera de succión (no se proporciona) a la bomba. Asegúrese de que la conexión de entrada esté cerrada herméticamente.

**PRECAUCIÓN:** Utilice únicamente tubos rígidos o mangueras reforzadas en la entrada de la bomba (A). Una manguera común de jardín se colapsará cuando la bomba funcione.



2. Fije la manguera de descarga (no se proporciona) a la salida de la bomba. Se puede usar una manguera para jardín estándar de 3/4 cm como tubería de descarga.

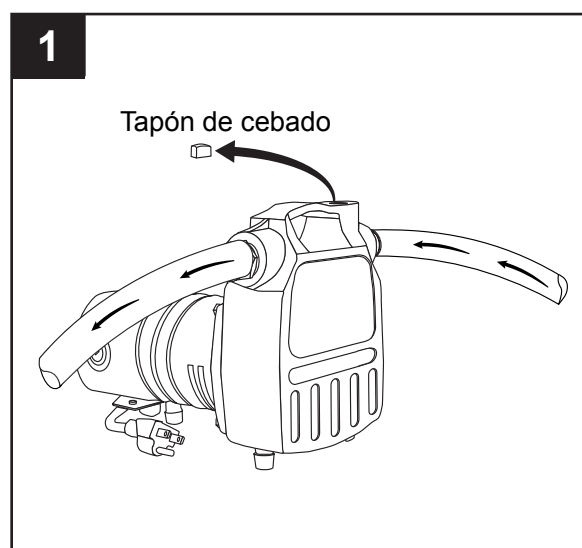
**PRECAUCIÓN:** Mantenga el largo total lo más corto posible para obtener un mejor rendimiento.



## **CEBADO Y ARRANQUE**

**¡DEBE CEBAR LA BOMBA ANTES DE UTILIZARLA!**

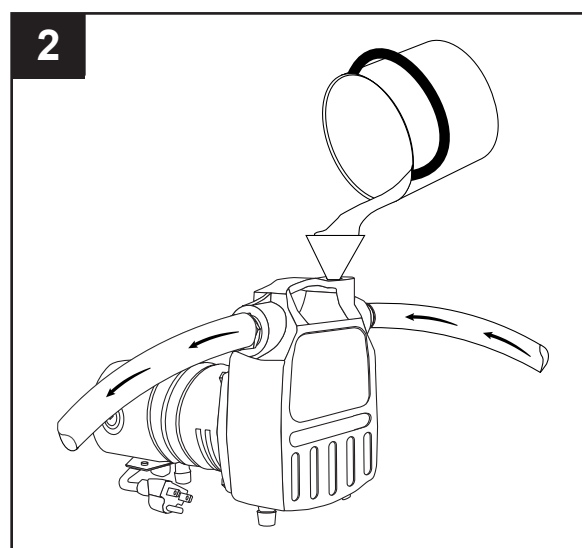
1. Retire de la parte superior de la bomba.



2. Llene la carcasa de la bomba con agua limpia. Vuelva a instalar el tapón.

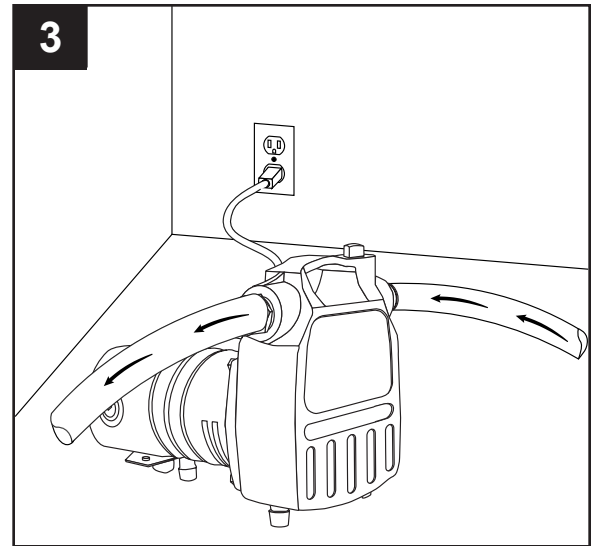
**NO HAGA FUNCIONAR LA BOMBA EN SECO.**

**NOTA:** no bombee arena ni ningún otro abrasivo, ya que esto dañará el sello del eje o el impulsor y anulará la garantía.



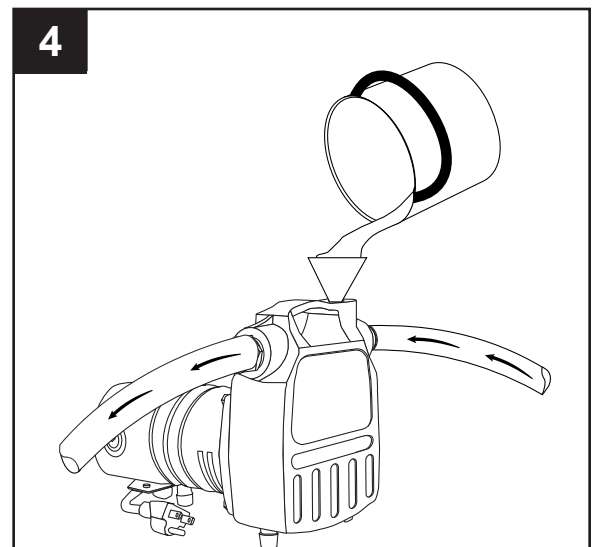
3. Para las aplicaciones de transferencia de agua normales, conecte el cable de alimentación a un tomacorriente con conexión a tierra. La bomba se cebará en unos minutos según el largo del tubo de succión.

Para apagar la bomba, desenchúfela.



4. Si la bomba no bombea agua después de cinco minutos, apague la bomba y repita los pasos del 1 al 3.

NO HAGA FUNCIONAR LA BOMBA EN SECO.



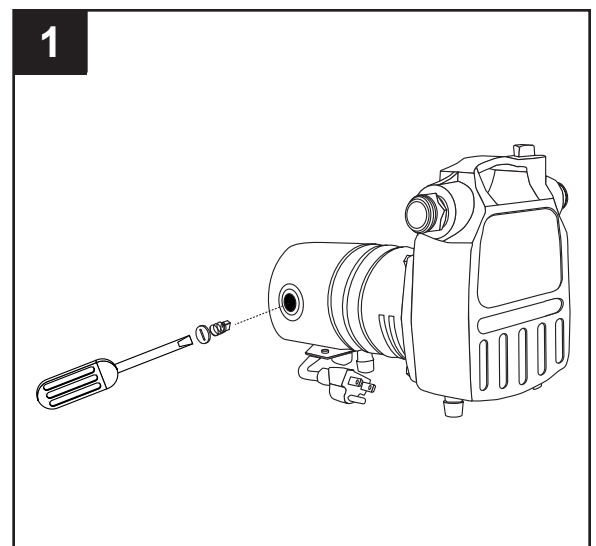
## **CUIDADO Y MANTENIMIENTO**

Los cepillos de la bomba se deben inspeccionar después de cada 100 horas de funcionamiento. Las bombas que superen las 100 horas de funcionamiento pueden dejar de funcionar o fallar en el arranque. Esto se podría deber a cepillos gastados o acumulación de carbono. Los cepillos y el carbono se deben retirar. Los cepillos gastados no están cubiertos por la garantía. Para obtener más información, consulte la LISTA DE PIEZAS DE REPUESTO.

### **Cómo reemplazar los cepillos**

NOTA: los cepillos del motor (se incluye 1 juego) son artículos de desgaste normal y se deben reemplazar después de cada 100 horas de funcionamiento.

- Asegúrese de que la bomba esté desconectada de la fuente de alimentación.
- Con un destornillador de cabeza plana (no se incluye), desenrosque la tapa del cepillo ubicada en el lateral de motor del motor. Retire el ensamble del cepillo. Para ello, jálelo del portacepillos hacia afuera en forma recta. Repita para el lado opuesto.
- Instale nuevos ensambles de cepillo (se incluye 1 juego).
- Vuelva a colocar la tapa.





## SOLUCIÓN DE PROBLEMAS

PROBLEMA	CAUSA POSIBLE	ACCIÓN CORRECTIVA
La bomba no empieza a bombear ni retiene el cebado luego del funcionamiento o deja de bombear agua.	1. Hay una fuga de aire en el tubo de succión.	1. Repare o reemplace el tubo de succión. Asegúrese de que los conectores sean herméticos y use cinta selladora para roscas si es necesario.
	2. Los conectores no están apretados.	2. Apriete los conectores herméticamente con una cinta selladora para roscas si es necesario.
	3. La manguera está torcida o tiene un bucle.	3. Inspeccione la manguera y enderézela si es necesario.
	4. La manguera de entrada no tiene agua.	4. Sumerja el extremo de la manguera de entrada.
	5. La entrada está obstruida.	5. Limpie la entrada.
	6. La elevación de entrada es demasiado alta.	6. Baje la bomba
	7. El impulsor está bloqueado.	7. Retire el bloqueo.
	8. El sello está gastado.	8. Reemplace el sello.
	9. Manguera de entrada contraída.	9. Reemplace con una manguera reforzada.
La bomba no enciende ni funciona.	1. Se fundió un fusible o el interruptor de circuito.	1. Si está fundido, reemplace por un fusible del tamaño adecuado o reinicie el circuito.
	2. El voltaje de línea es bajo.	2. Si el voltaje es menor a 108 voltios, revise el tamaño del cableado.
	3. Los cepillos están desgastados.	3. Remplace los cepillos.
	4. El impulsor está bloqueado.	4. Retire el bloqueo.
	5. El motor está dañado.	5. Reemplace la bomba.
Flow rate is too low.	1. El tubo o la manguera están torcidos o dañados.	1. Limpie o reemplace el tubo o la manguera.
	2. El voltaje de línea es bajo.	2. Si el voltaje es menor a 108 voltios, revise el tamaño del cableado.
	3. Hay demasiada fricción en la manguera de descarga..	3. Acorte o incremente el diámetro de la manguera de descarga.
Seal leaks	1. El sello está gastado.	1. Reemplace el sello.
	2. El cabezal de la bomba está suelto en el motor.	2. Asegúrese de que el ensamblaje esté correcto y verifique que no haya obstrucciones. Apriete los tornillos.

## GARANTÍA

Este producto está garantizado durante un año desde la fecha de compra. Sujeto a las condiciones establecidas en el presente, el fabricante reparará o reemplazará, para el consumidor original, cualquier parte del producto que se compruebe que está defectuosa debido a defectos en los materiales o la mano de obra. Esta garantía no cubre las piezas de repuesto por falla debido a desgaste normal. Para obtener los servicios de garantía, póngase en contacto con el distribuidor donde adquirió el producto. El fabricante se reserva el derecho y la opción exclusivos de determinar la reparación o el reemplazo de equipos, piezas o componentes defectuosos. Los daños causados por condiciones que escapen del control del fabricante no están cubiertos por esta garantía.

ESTA GARANTÍA NO SE APLICARÁ: (a) a defectos o mal funcionamiento como resultado de una falla en la instalación, operación o mantenimiento de la unidad según lo indicado en las instrucciones impresas provistas; (b) a los fallos resultantes del abuso, accidentes o negligencia o uso inapropiado de productos químicos o aditivos en el agua, (c) a los servicios de mantenimiento normativos y las piezas utilizadas en conexión con dichos servicios; (d) a unidades que no se instalaron según los códigos normativos locales, las ordenanzas o las buenas prácticas comerciales aplicables; y (e) si la unidad se utiliza para fines para los cuales no está destinada ni fabricada.

DEVOLUCIÓN DE COMPONENTES EN GARANTÍA: Cualquier elemento a ser reparado o reemplazado bajo esta garantía debe ser devuelto al fabricante en Kendallville, Indiana o a cualquier otro lugar que el fabricante pueda designar, con flete prepago.

LA GARANTÍA QUE SE PROPORCIONA EN EL PRESENTE REEMPLAZA A TODAS LAS DEMÁS GARANTÍAS EXPLÍCITAS Y NO PUEDE SER EXTENDIDA NI MODIFICADA POR NADIE. CUALQUIER GARANTÍA IMPLÍCITA ESTARÁ LIMITADA AL PERÍODO DE LA GARANTÍA LIMITADA Y, POR CONSIGUIENTE, SE RECHAZAN Y SE EXCLUYEN TODAS DICHAS GARANTÍAS IMPLÍCITAS. BAJO NINGUNA CIRCUNSTANCIA, EL FABRICANTE SERÁ RESPONSABLE DE DAÑOS ACCIDENTALES, RESULTANTES O ESPECIALES, INCLUIDOS, ENTRE OTROS, LOS DAÑOS A LA PROPIEDAD O AL EQUIPO, O LA PÉRDIDA DE ESTOS, LA PÉRDIDA DE GANANCIAS, INCONVENIENTES U OTROS DAÑOS ACCIDENTALES O RESULTANTES DE CUALQUIER TIPO O NATURALEZA. LA RESPONSABILIDAD DEL FABRICANTE NO SUPERARÁ EL PRECIO DEL PRODUCTO SOBRE EL CUAL SE BASA DICHA RESPONSABILIDAD.

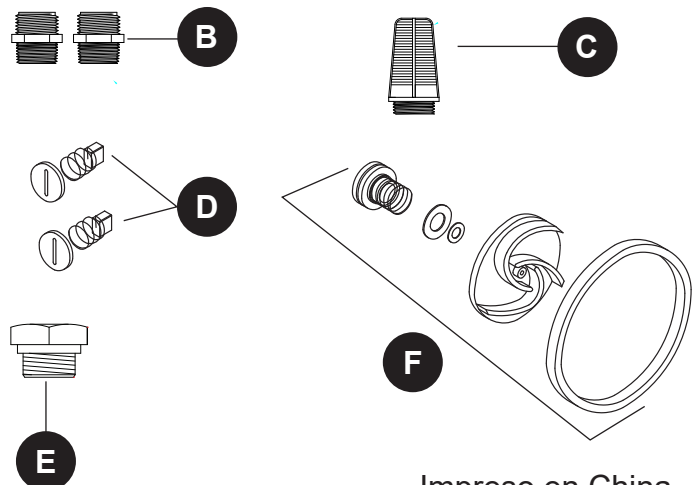
Esta garantía le otorga derechos legales específicos, pero usted podría tener otros derechos que varían según el estado. Algunos estados no permiten las limitaciones sobre la duración de las garantías implícitas, o la exclusión de los daños accidentales o resultantes, de modo que las limitaciones mencionadas anteriormente podrían no aplicarse en su caso.

**En aquellas instancias en que haya daños causados por una presunta falla de la bomba, el propietario deberá conservar la bomba a fin de investigar dicha falla.**

## LISTA DE PIEZAS DE REPUESTO

No hay piezas de repuesto en garantía disponibles para este producto. Para las piezas de repuesto no amparadas por la garantía que se mencionan a continuación, llame a nuestro Departamento de Servicio al Cliente al 1-800-742-5044, de lunes a viernes de 7:30 a. m. a 5:00 p. m., hora estándar del Este.

PIEZA	DESCRIPCIÓN	PIEZA #
B	Adaptadores de manguera para jardín	025059
C	Tensor de manguera	025058
D	Cepillos de motor	015846
E	Tuerca de cebado	025060
F	Impulsor, sello del eje y kit de voluta	024512



Impreso en China