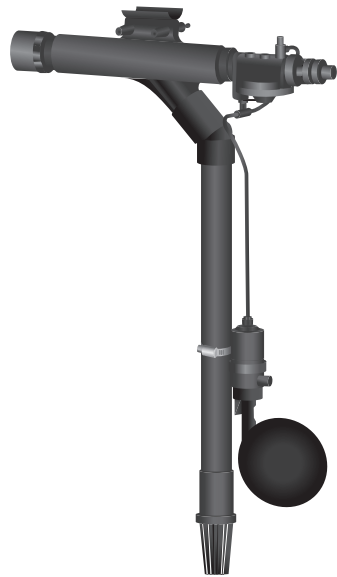


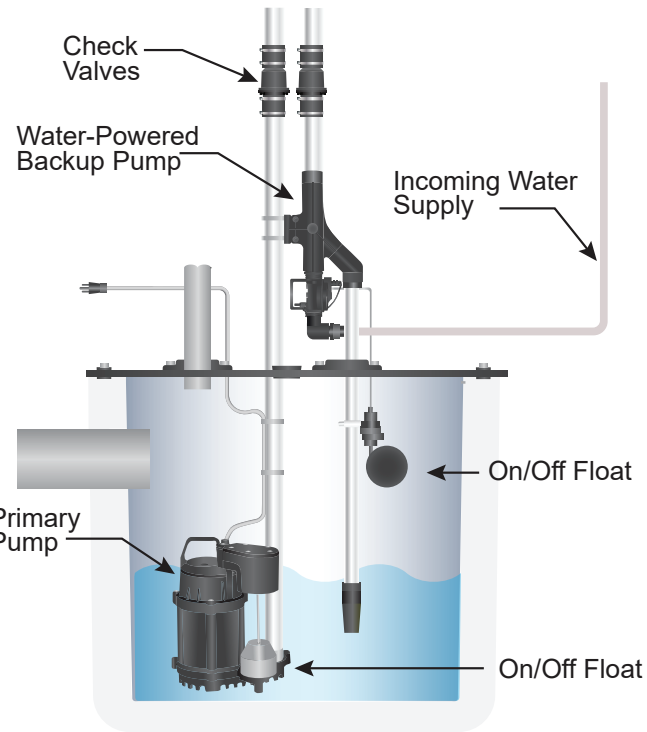


**WATER-POWERED  
BACKUP  
SUMP PUMP**  
No electricity  
required

MODEL #STWB140

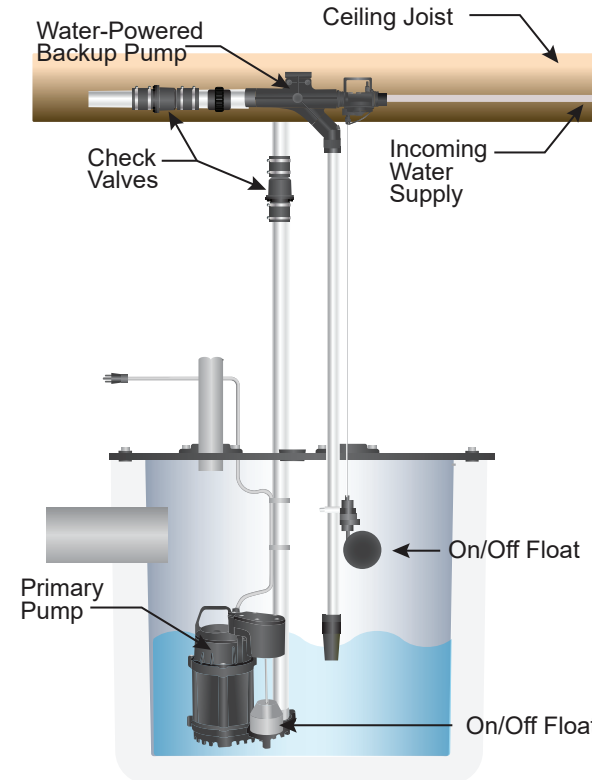


**SEE INSTRUCTION MANUAL FOR  
IMPORTANT SAFETY WARNINGS.**

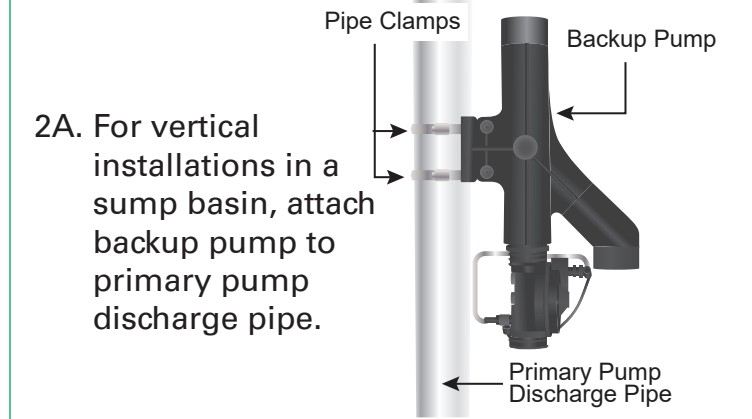


**Vertical Installation**

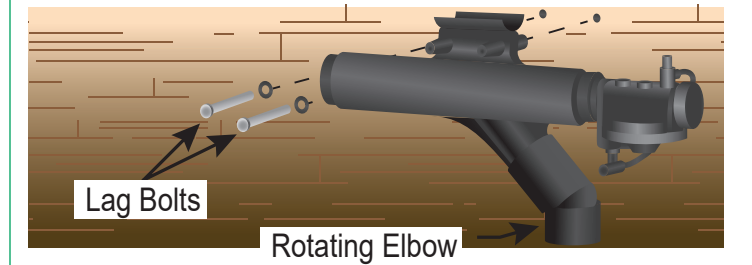
1. Decide if pump will be installed in the sump basin (vertically) or in out-of-sight in rafters (horizontally)



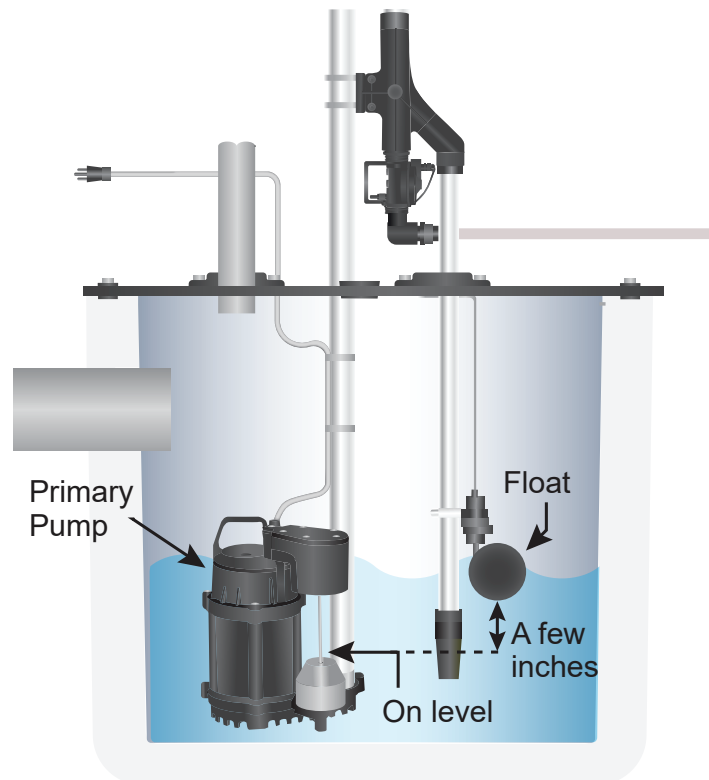
**Horizontal Installation**



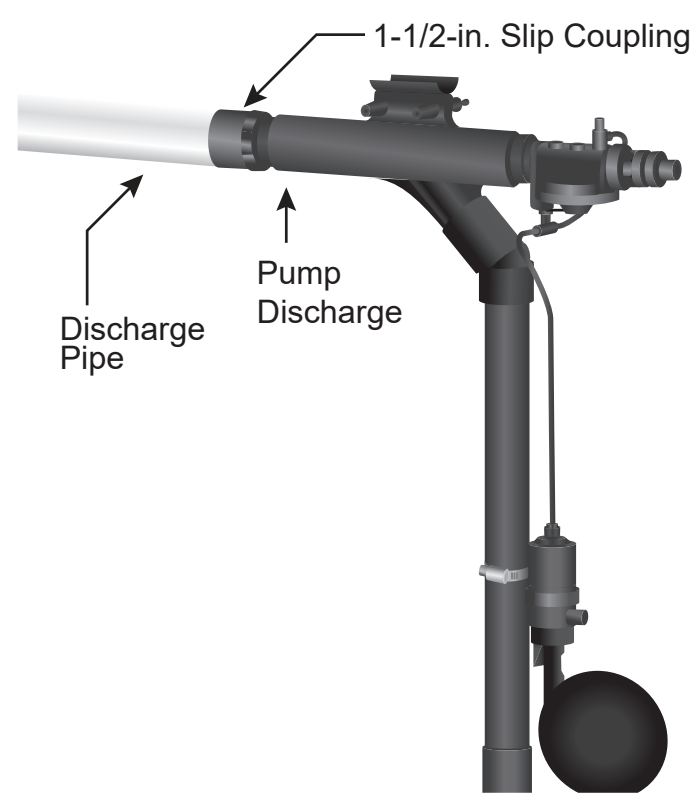
- 2A. For vertical installations in a sump basin, attach backup pump to primary pump discharge pipe.



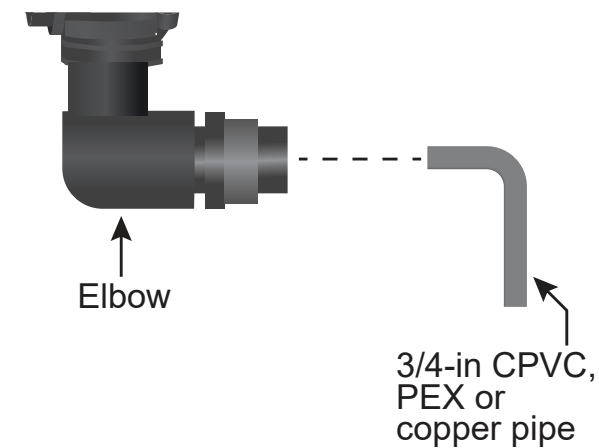
- 2B. For horizontal installations in rafters, mount pump to floor joists.



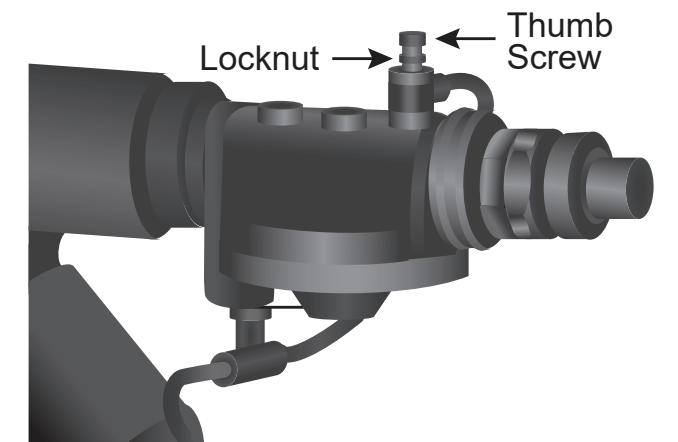
3. Install float valve a few inches above the ON position of the primary pump.



4. Install 1-1/2-in discharge piping.



5. Install source water piping to bring a city water line to the pump.



6. Adjust the control valve and test system operation.



# BOMBA DE SUMIDERO DE RESERVA ACCIONADA POR AGUA

No requiere electricidad

MODELO #STWB140



**CONSULTE EL MANUAL DE INSTRUCCIONES PARA ADVERTENCIAS IMPORTANTES DE SEGURIDAD.**

